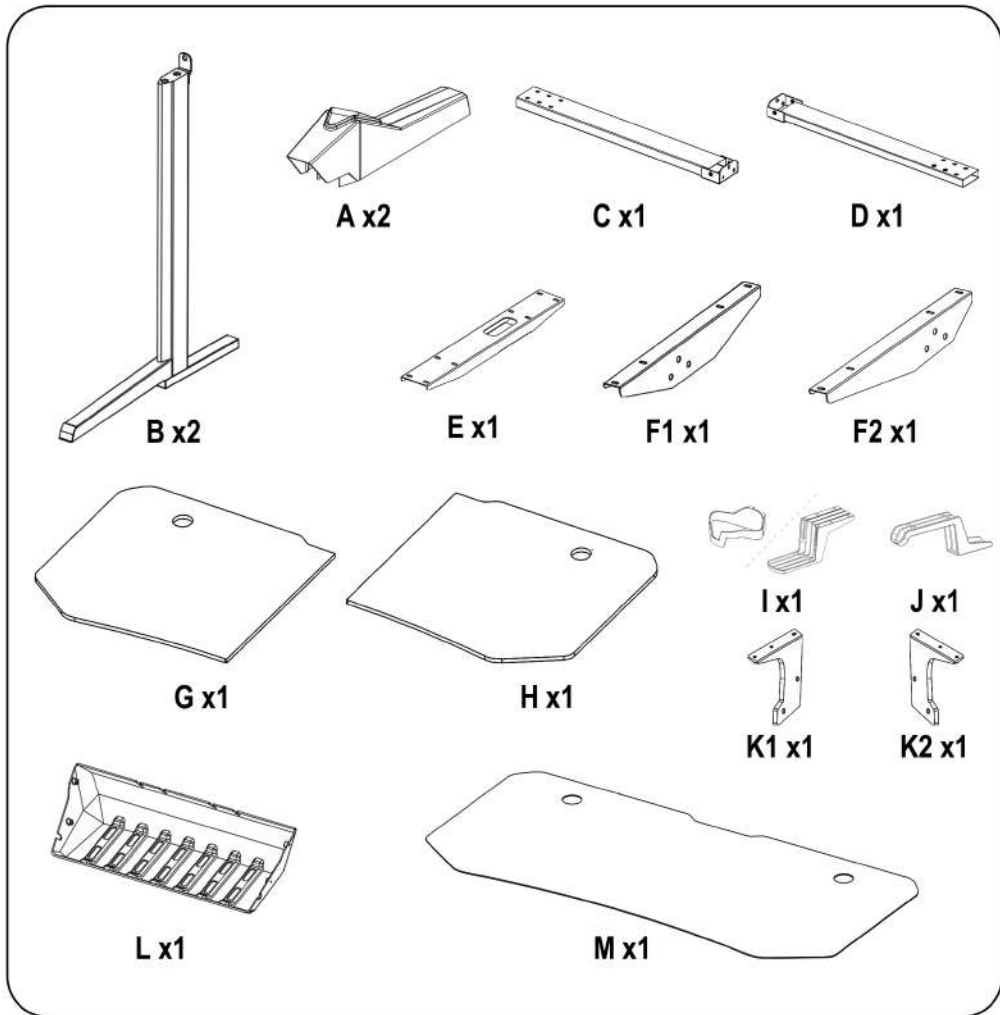
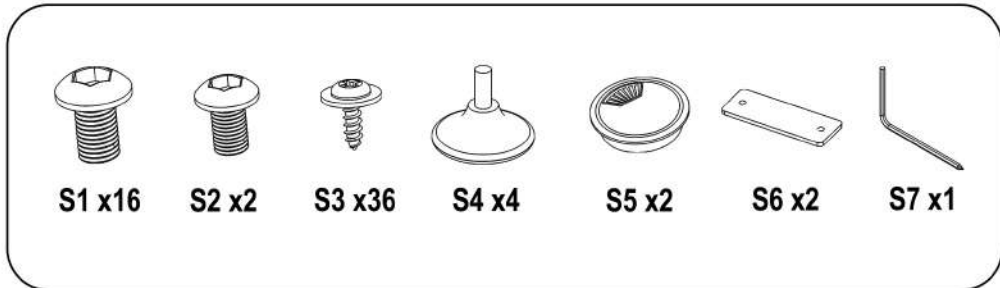
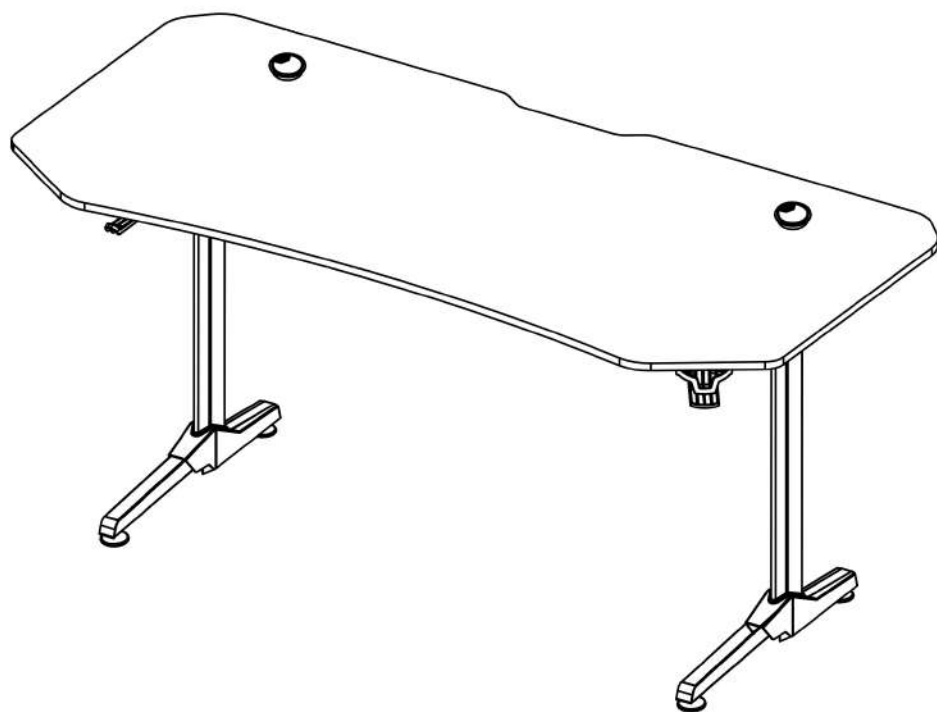
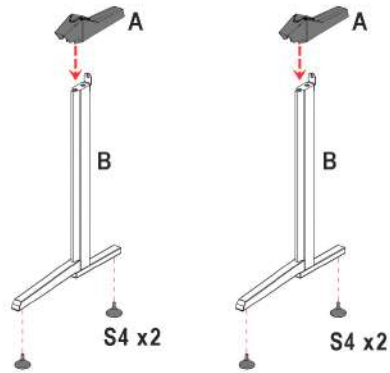
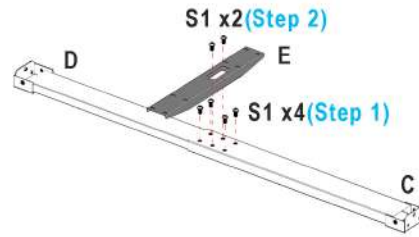


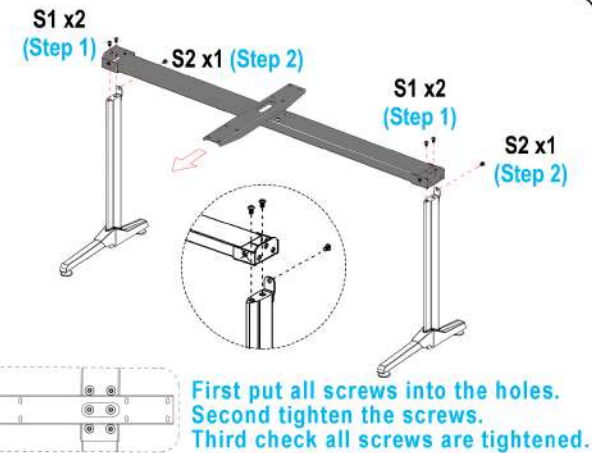
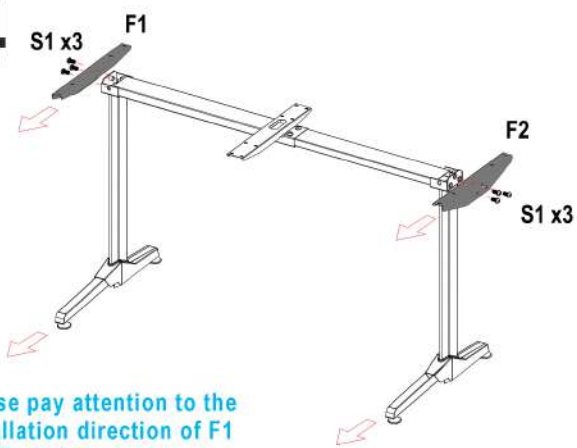


**ULTRADESK<sup>®</sup>**  
**GRAND**

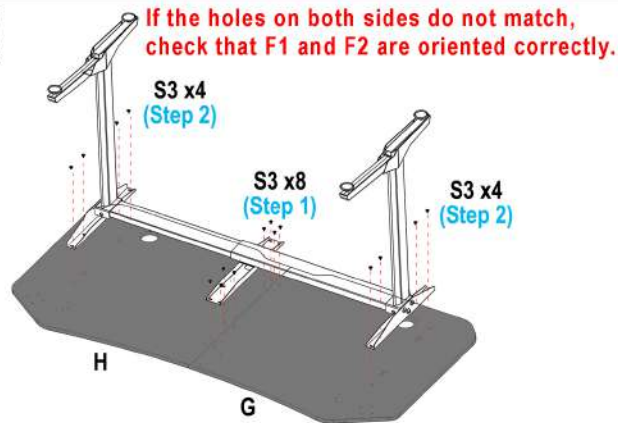


**1****2**

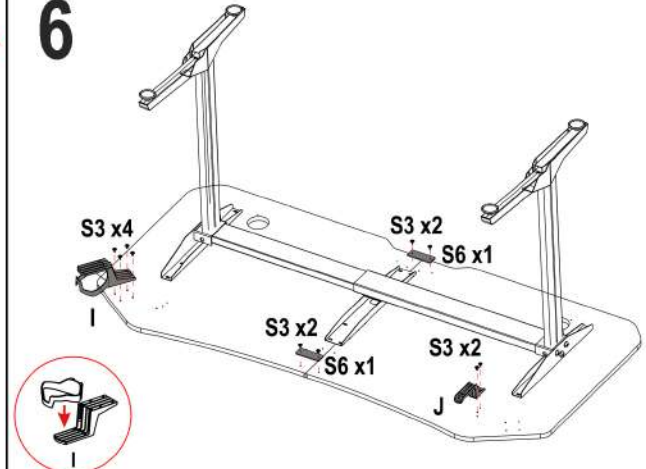
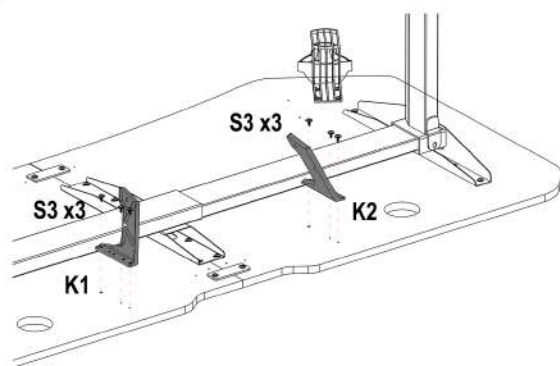
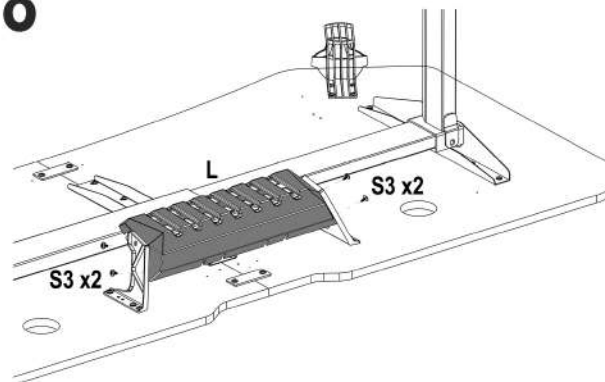
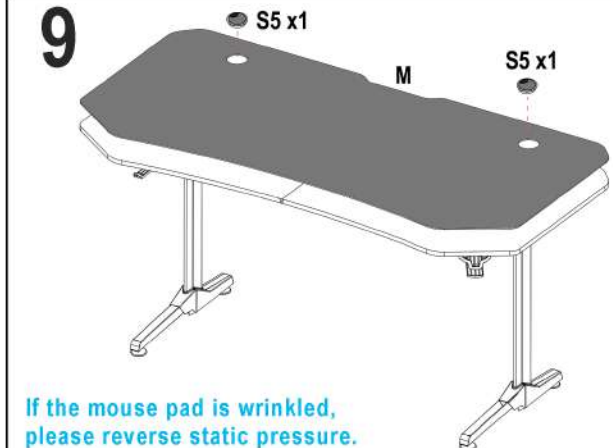
 Please make sure E part is perpendicular to C-D part.

**3****4**

Please pay attention to the installation direction of F1 and F2 parts.

**5**

Align the two tabletop boards first. Match the screw holes on the shelf with tabletop.

**6****7****8****9**

If the mouse pad is wrinkled, please reverse static pressure.