



RACER



USER GUIDE

Parts list

①



x4

②



x6

③



x8

④



x12

⑤



x8

⑥



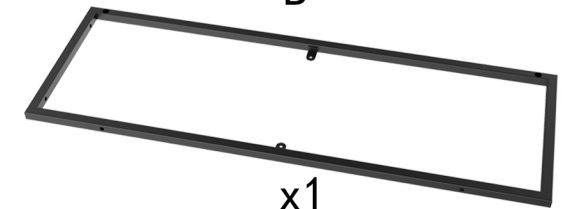
x4

A



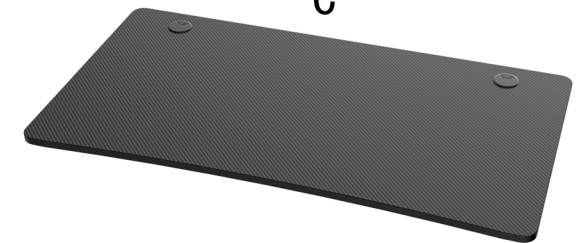
x2

B

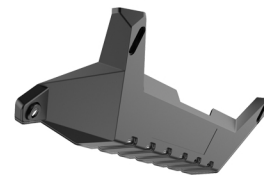


x1

C



D1



x1

D2



x1

E



x1

F



x1

G



x2

H



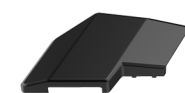
x1

I



x1

J



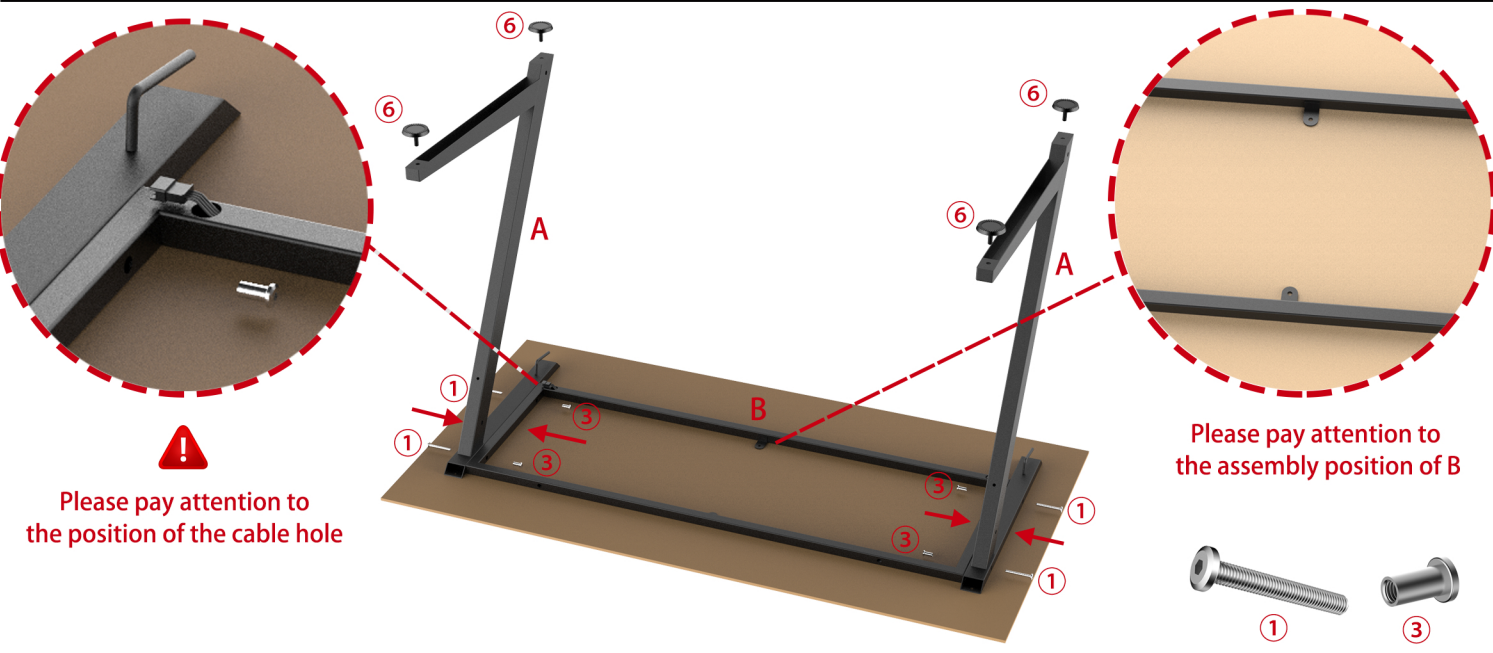
x2

K

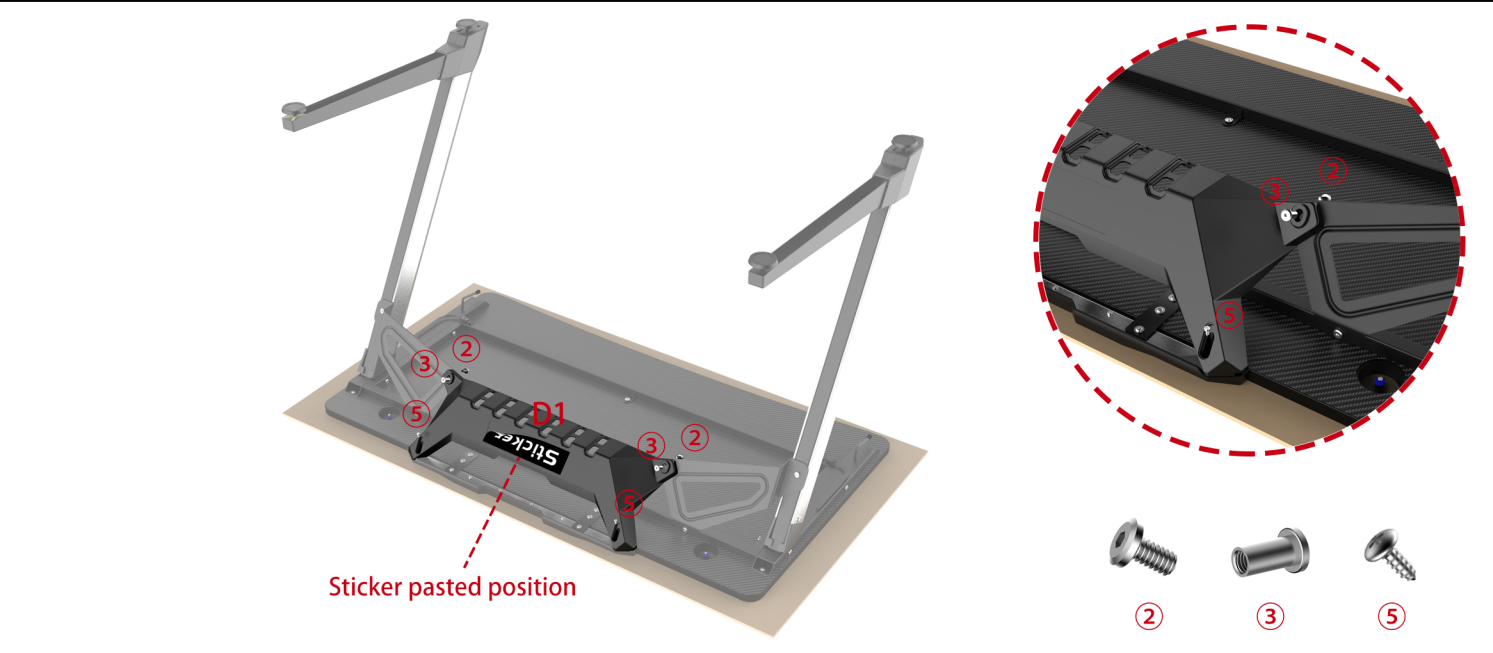


x2

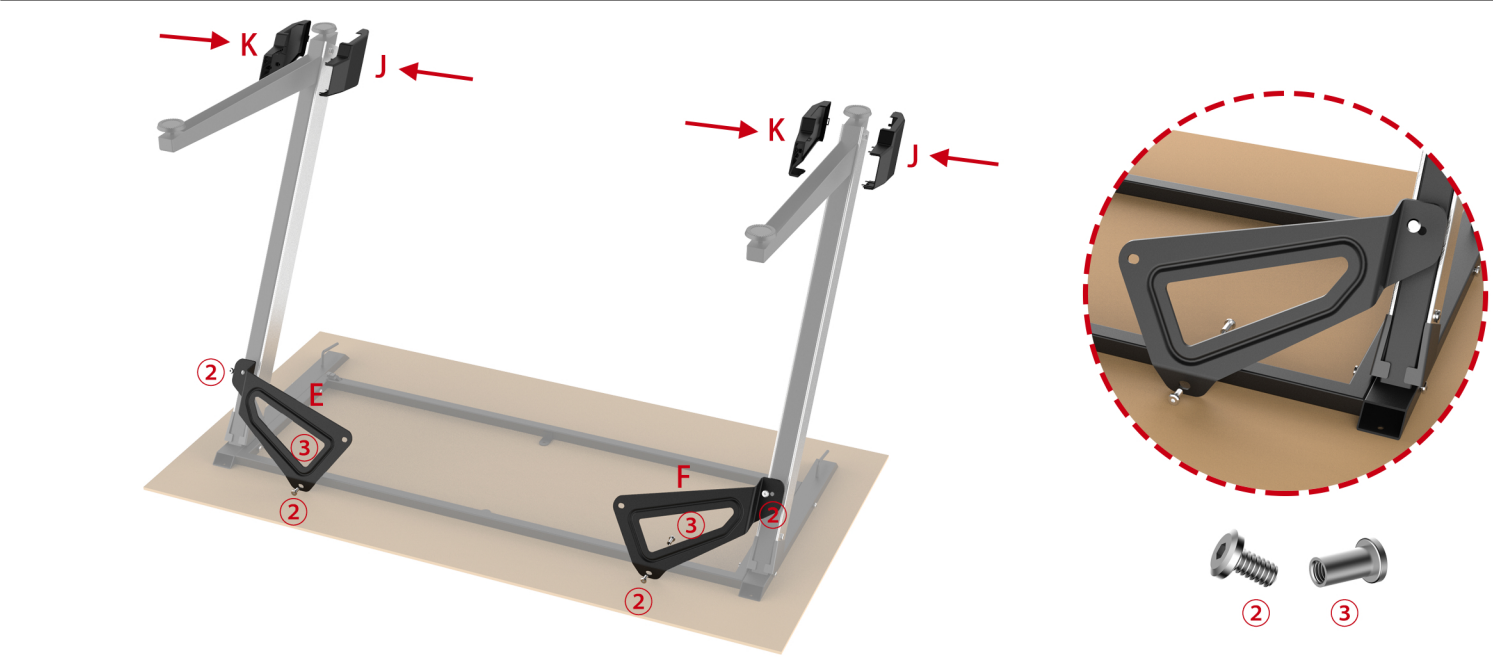
Step 1.



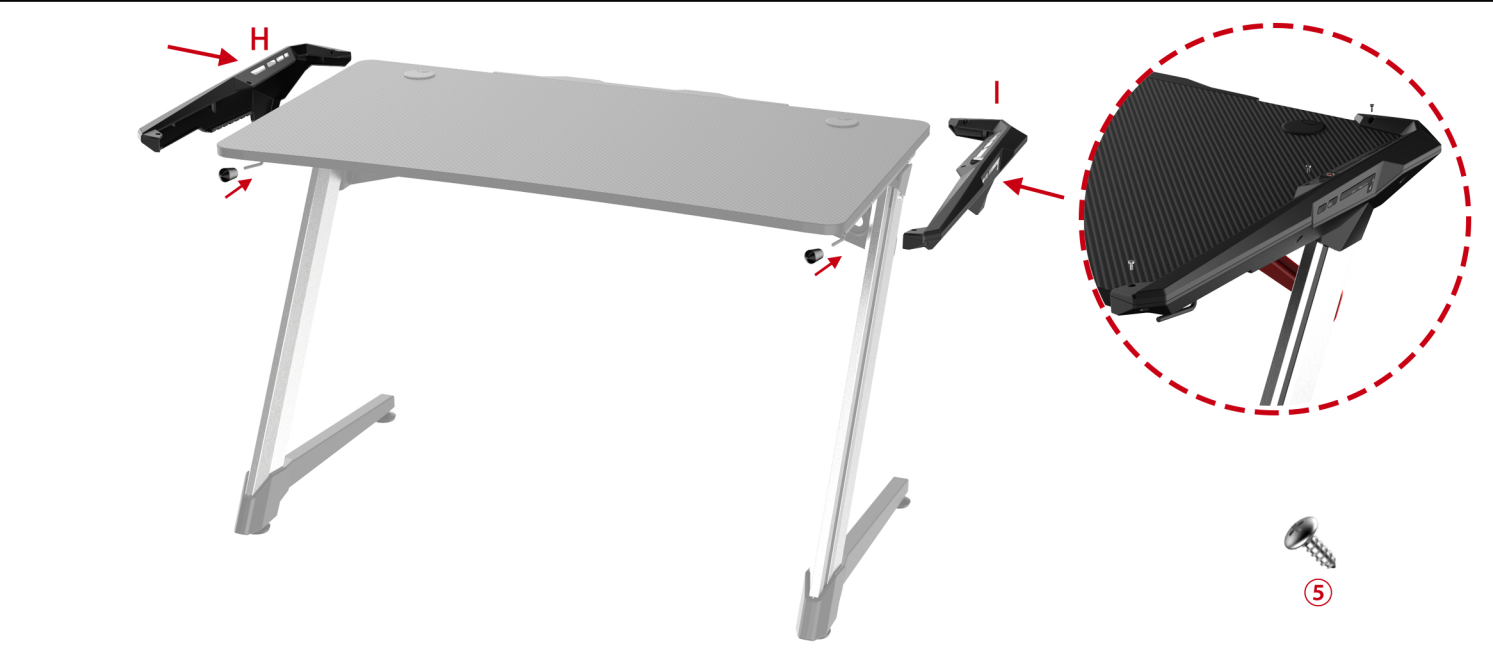
Step 4.



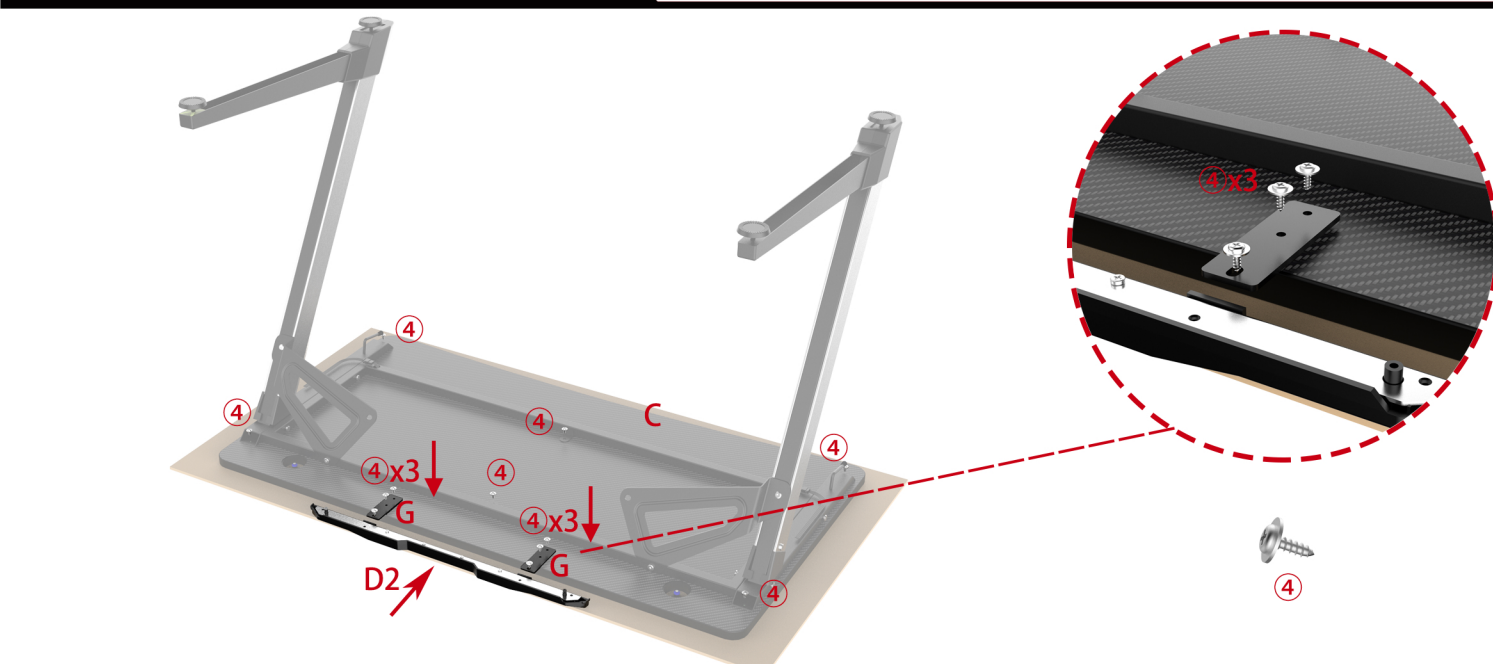
Step 2.



Step 5.



Step 3.



Step 6.

