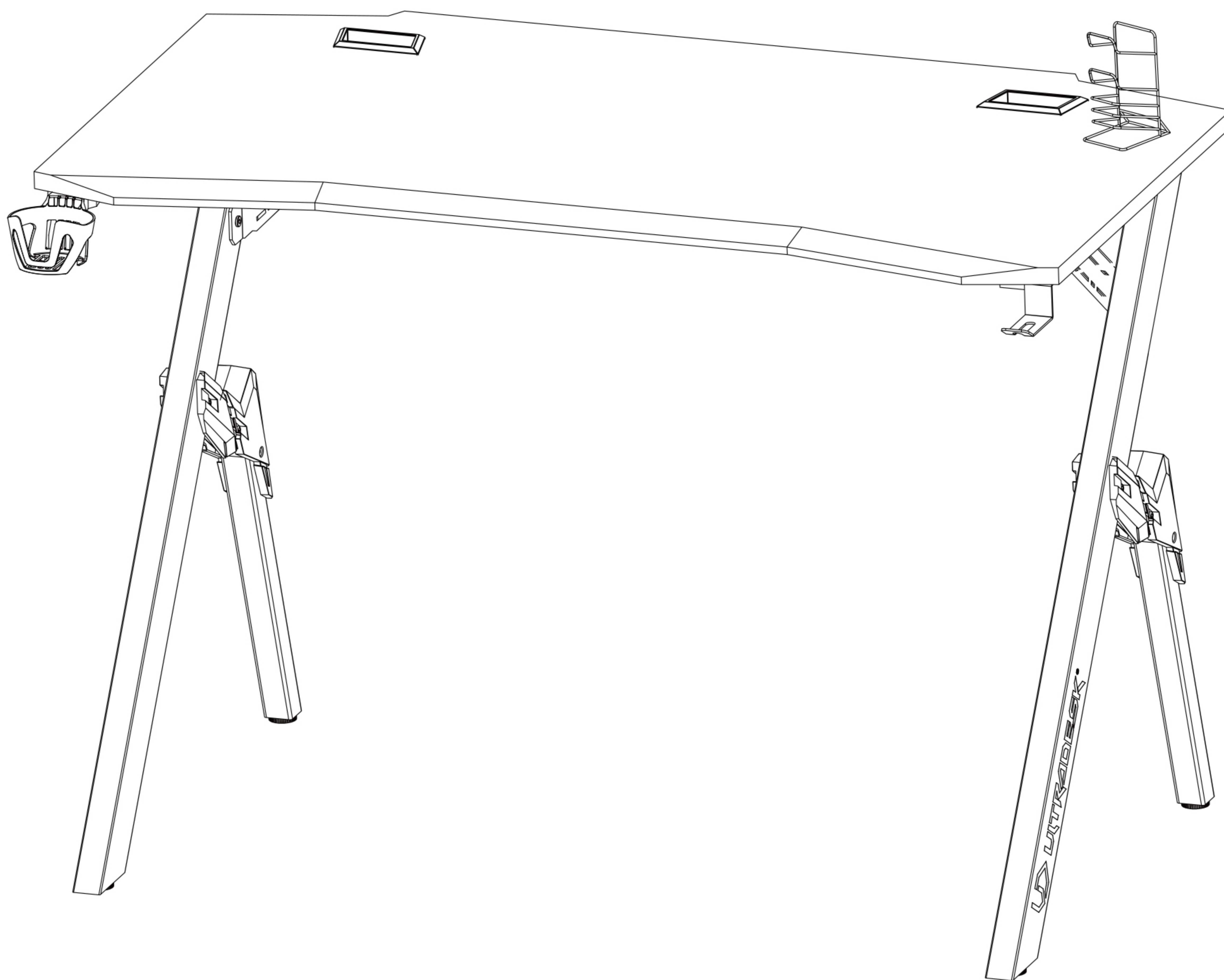


**ULTRADESK®**



# ACTION





**IMPORTANT INFORMATION**

**READ CAREFULLY.**

**KEEP THIS INFORMATION FOR FURTHER REFERENCE.**

## **GENERAL GUIDELINES**

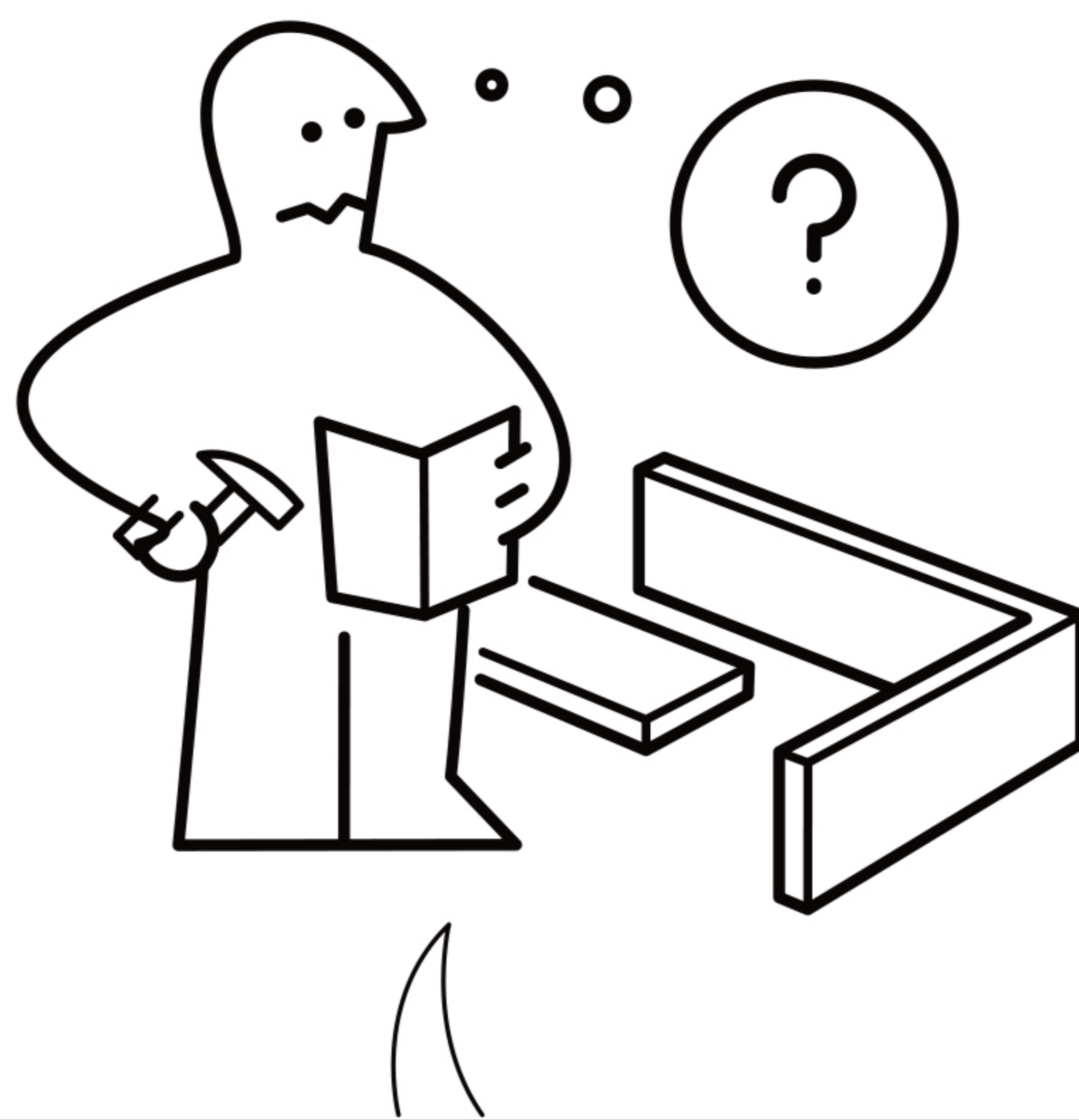
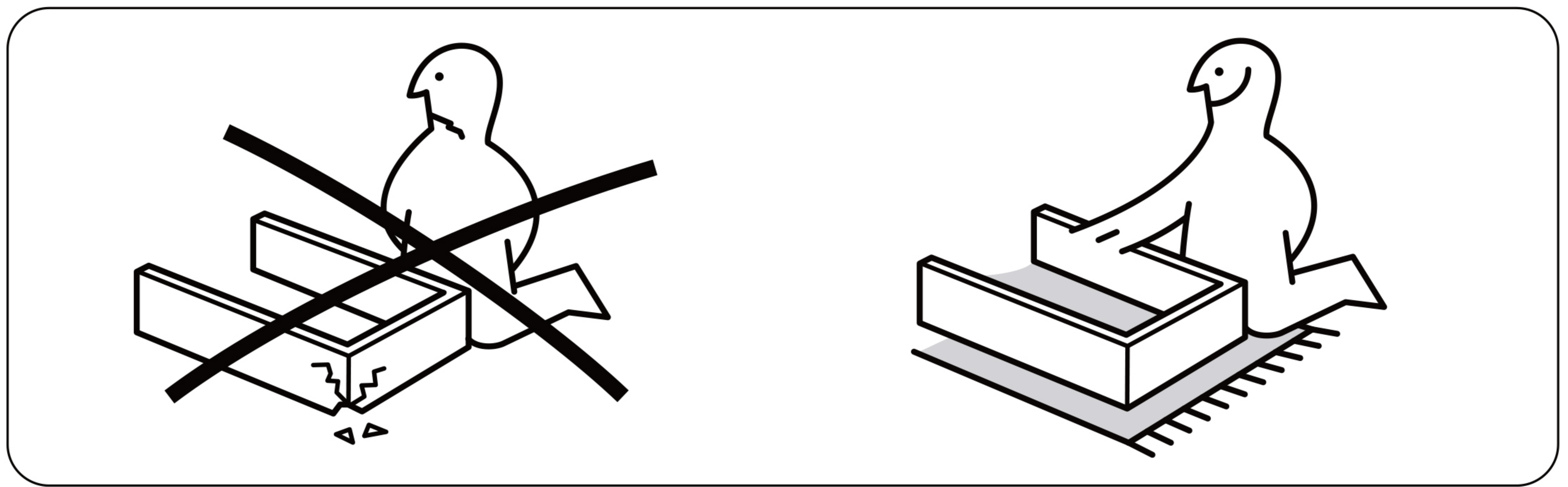
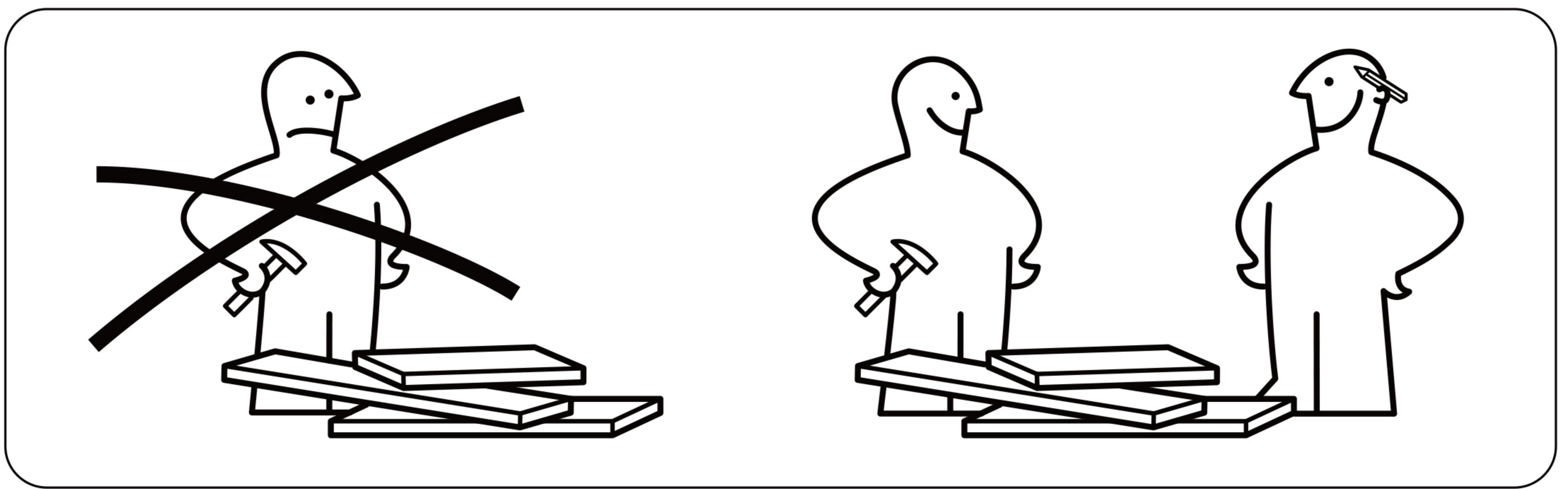
- Please read the following instruction carefully and use the product accordingly.
- Please keep this manual and hand it over when you transfer the product.
- This summary may not include every detail of all variations and considered steps. Please **contact us** when further information and help are needed.

## **NOTES**

- Please follow the assembly instructions precisely and only use the product as intended.
- If an odor is present when first opening the package, please leave the unwrapped product in a shaded and ventilated area for a few days to air out.
- Prior to assembly, please check the product for defects or missing accessories. If any defects are found or accessories are missing, do not use product as damage or injury may occur; **contact us** for assistance and replacement.
- It is suggested you regularly check the products bolts and connections to ensure safe use.
- Assemble the item on a soft flat and clean surface to avoid scratches and damage.
- It is recommended that two people assemble this product.

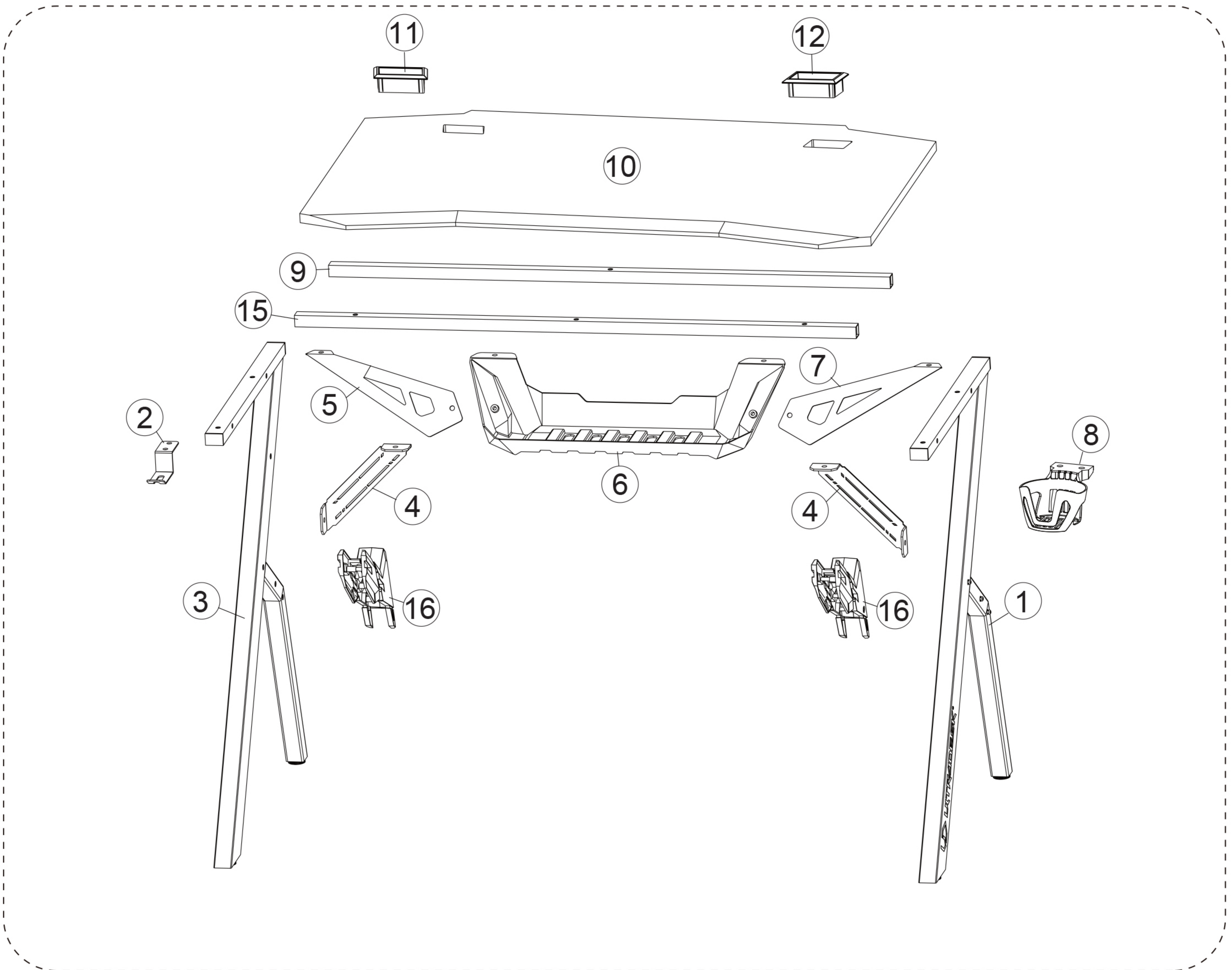
## **WARNINGS**

- During assembly, keep parts and packaging materials away from children and pets as there could cause injury and are a potential choking hazard.
- Avoid sharp objects or corrosive chemicals to prevent damage to the product.
- Please open the item slowly and cautiously to avoid pinching your hands by metal joints, especially children.

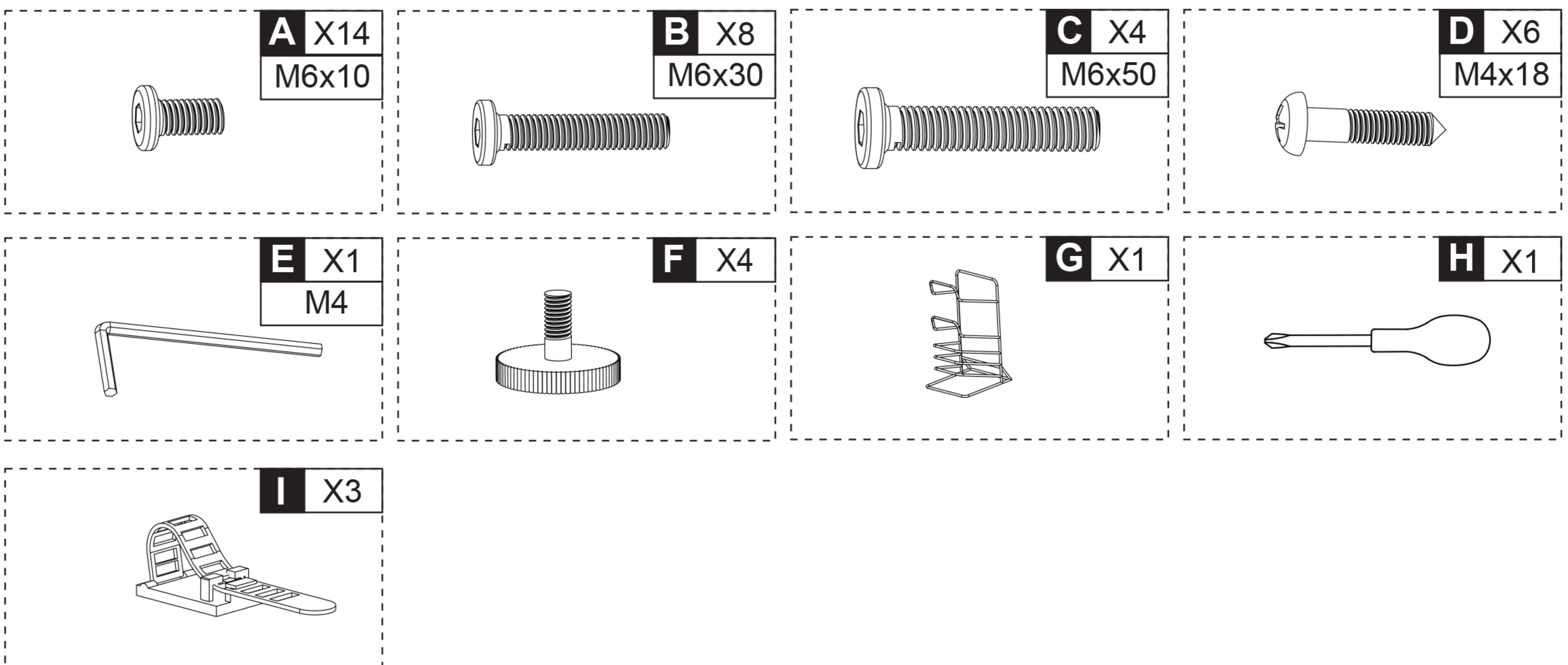


- Please check you have all hardware before assembling.
- Please ensure you have the name of the item and hardware part required and quantity.
- Please contact us by mail, if you have any questions, and we will reply you ASAP.
- Enjoy your new purchase!

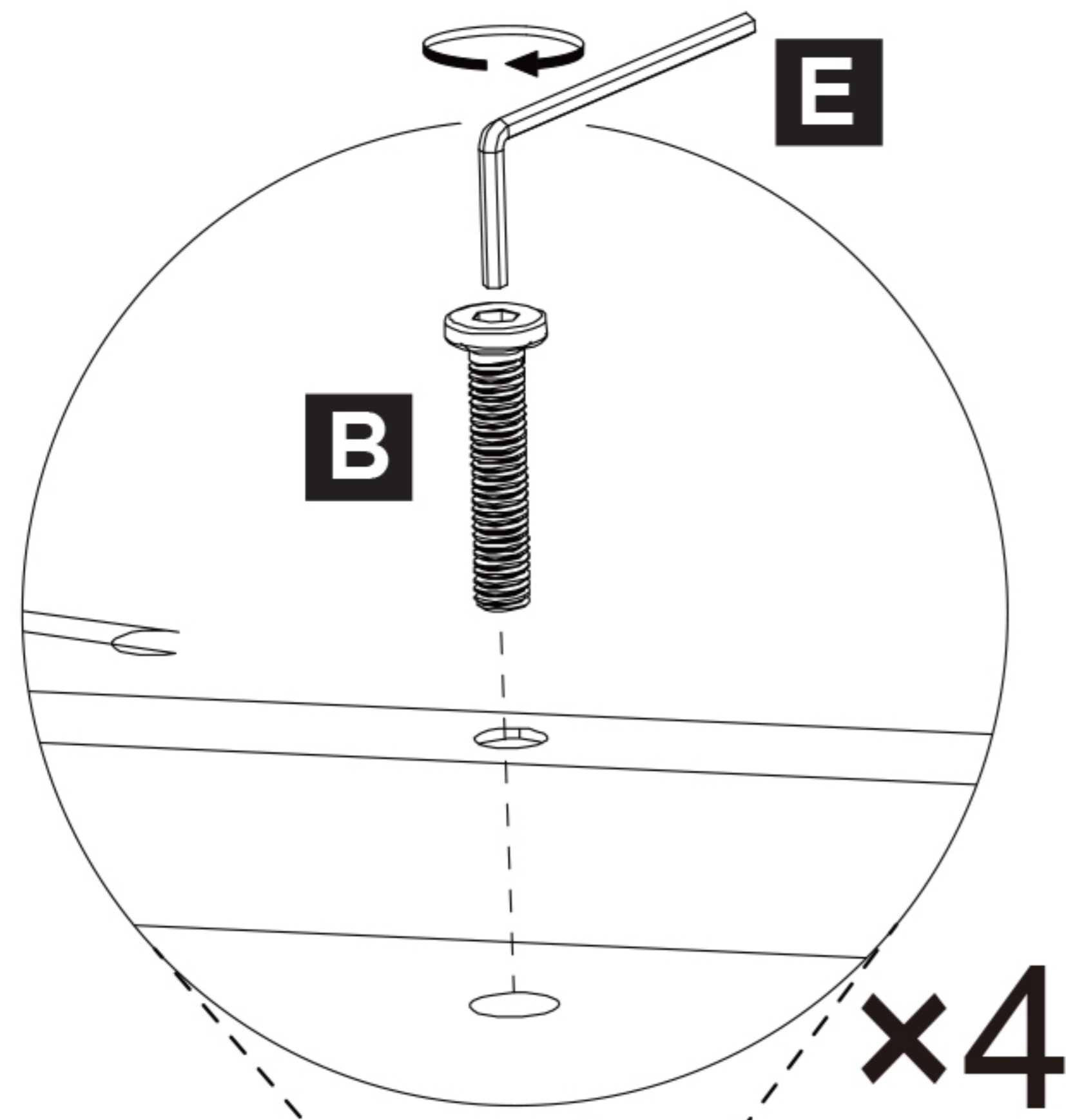
# EXPLODED DRAWING:



# PARTS:

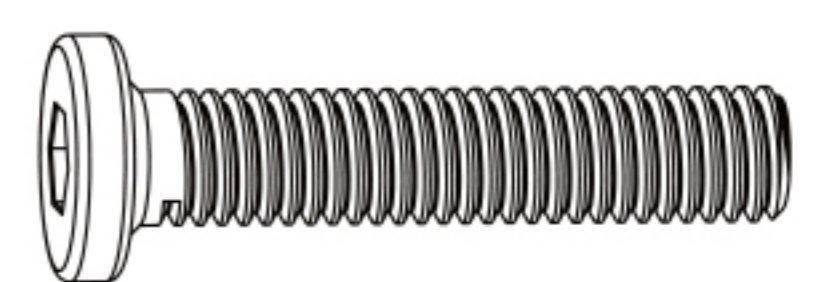



1.

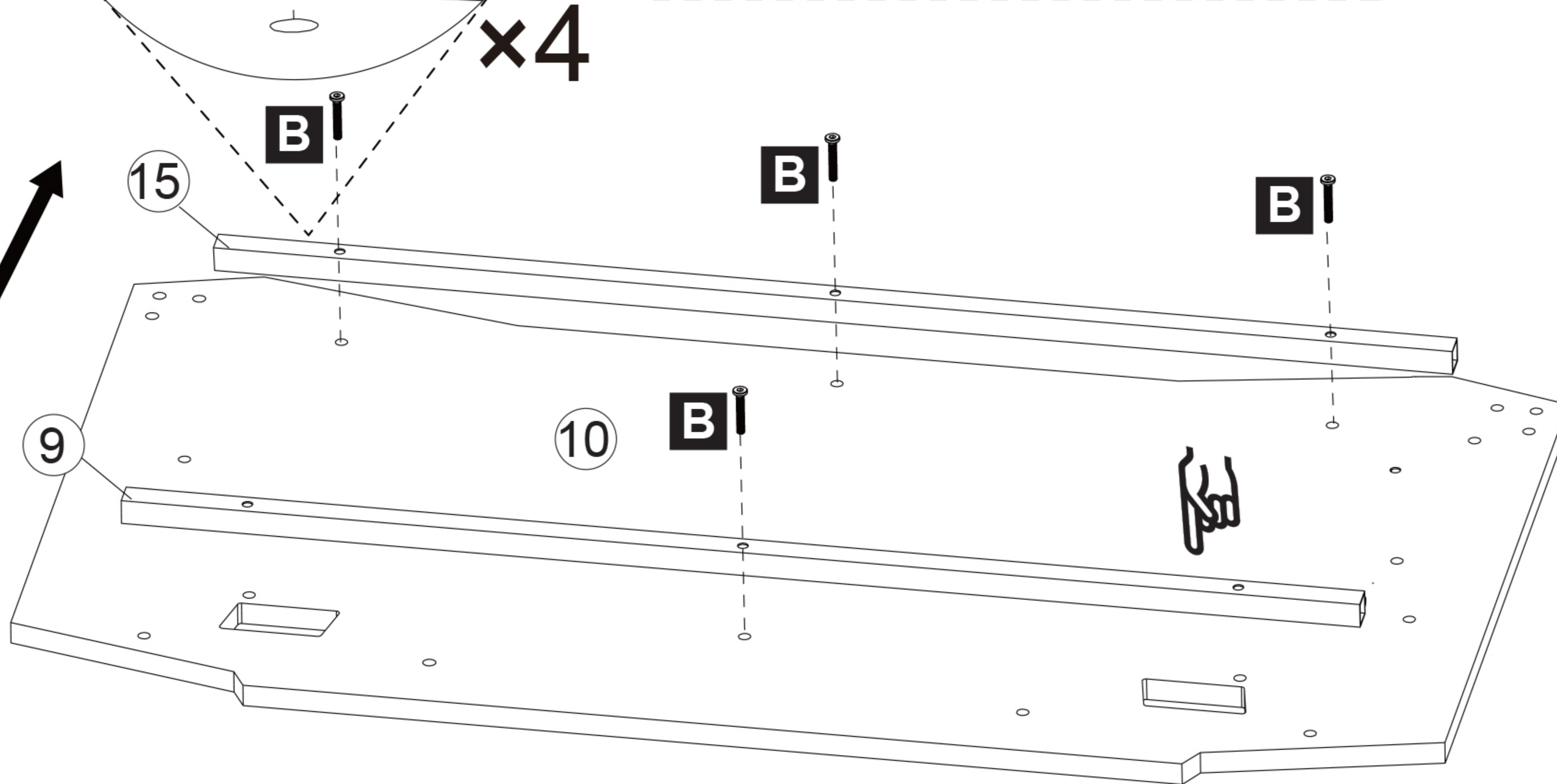


**REMARK:**

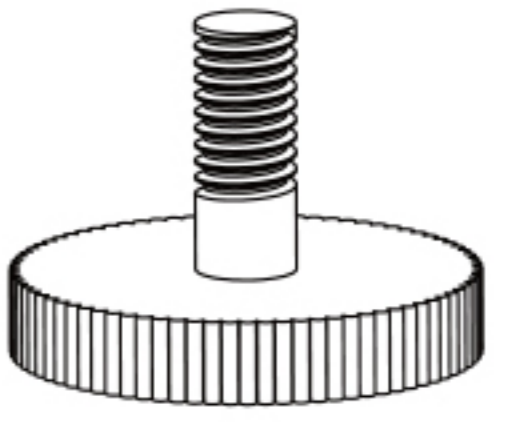
1. Please make the threaded holes on part ⑨ face upwards.
2. Please do not fully tighten screws.

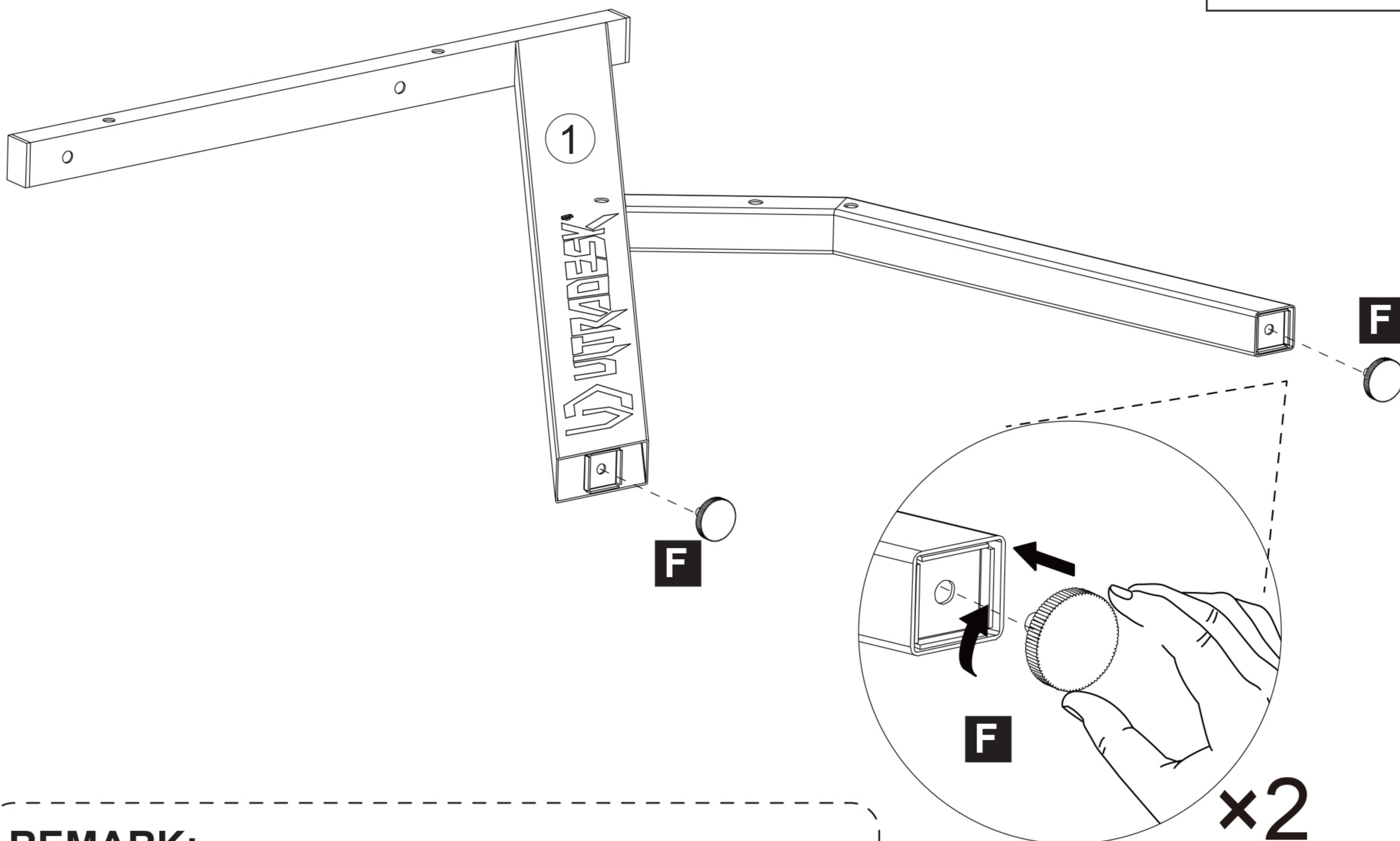
	<b>B</b> X4 M6x30
	<b>E</b> X1 M4

FRONT ↑



2.

	<b>F</b> X4
---	-------------

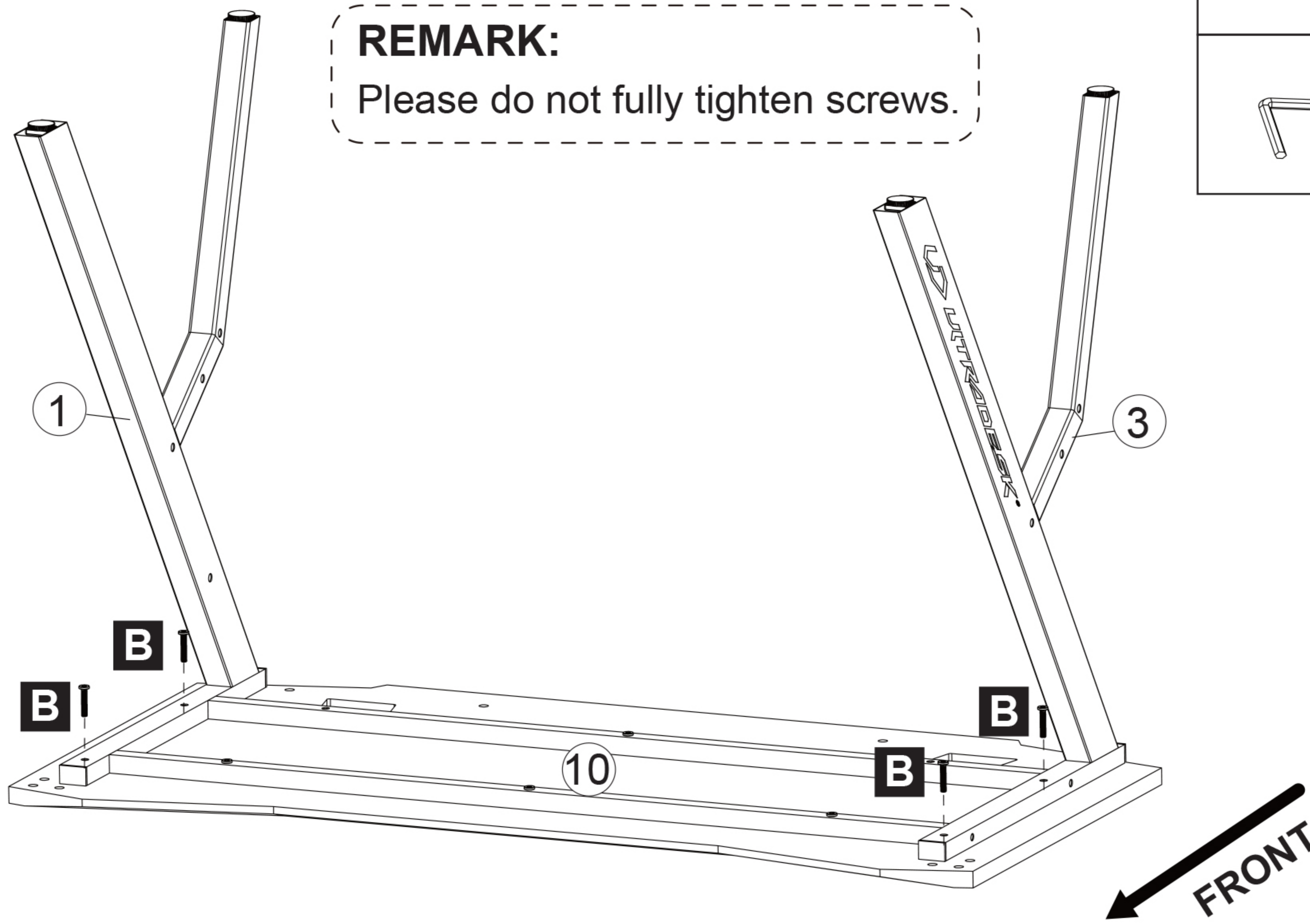


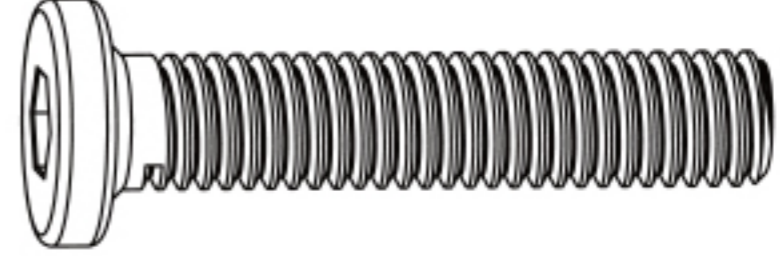

**REMARK:**

The operation method of parts ① and ③ is the same.

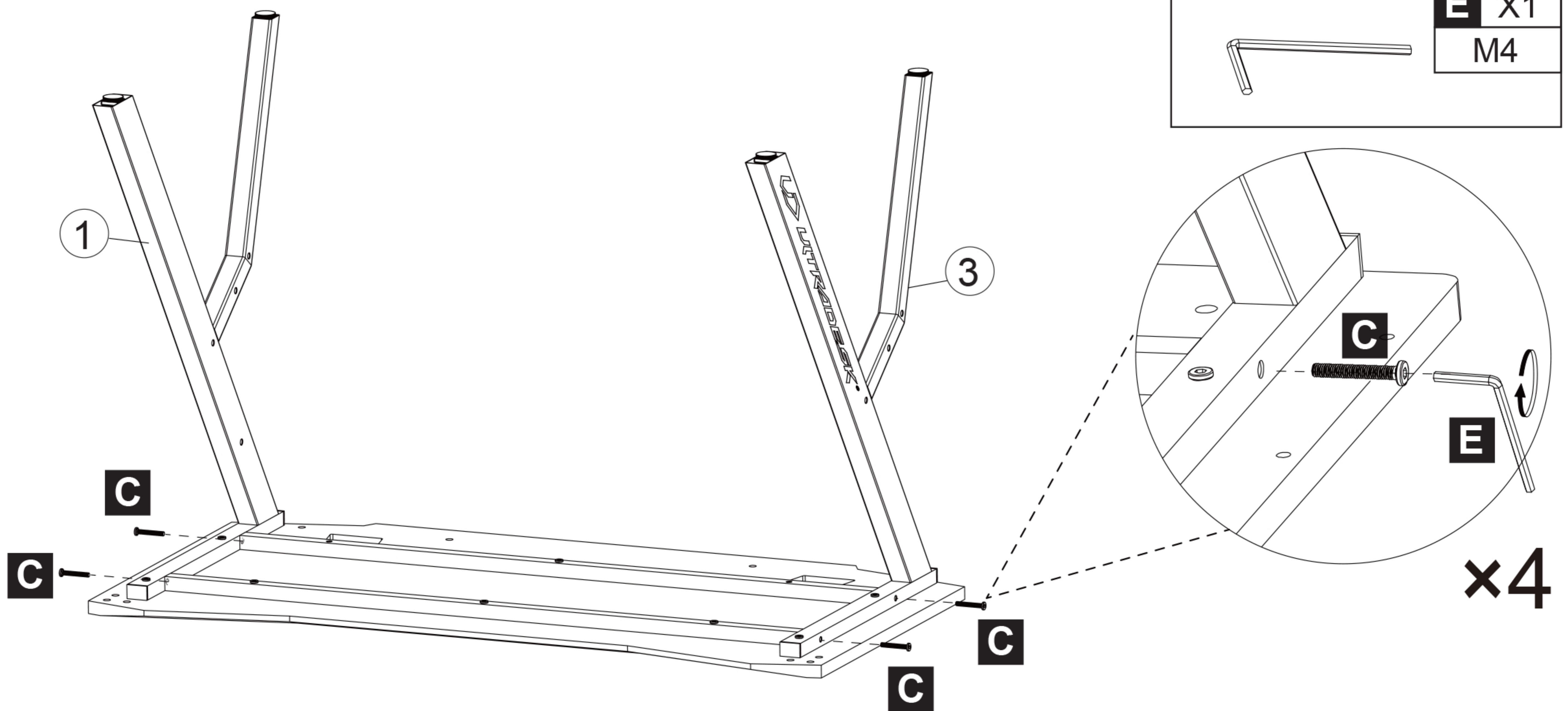
**x2**



### 3.



	<b>B</b> X4 M6x30
	<b>E</b> X1 M4

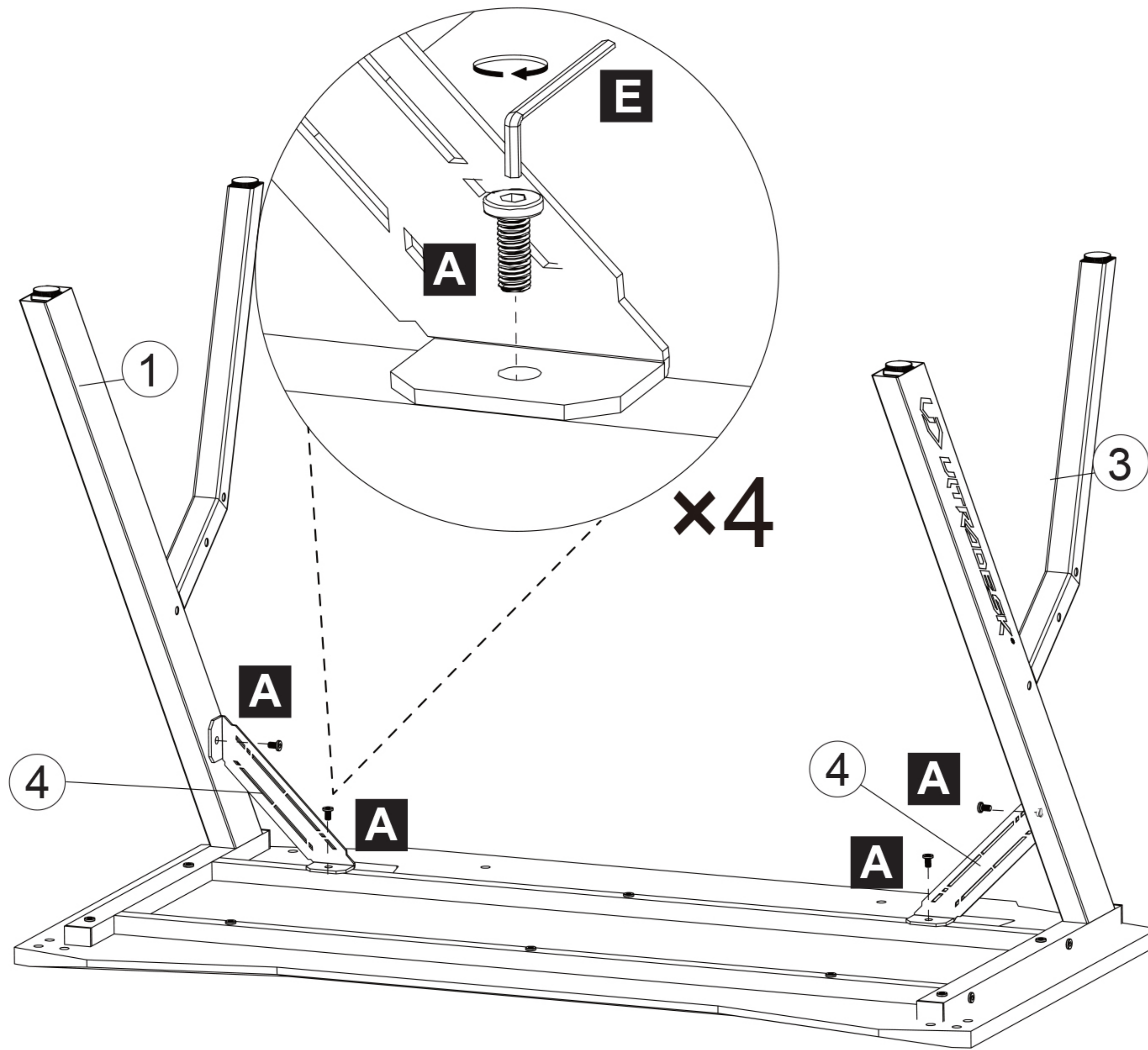
### 4.

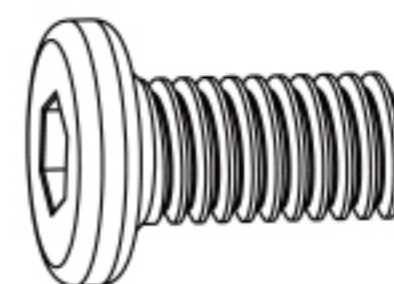



	<b>C</b> X4 M6x50
	<b>E</b> X1 M4

**REMARK:**  
Please do not fully tighten screws.

**5.**

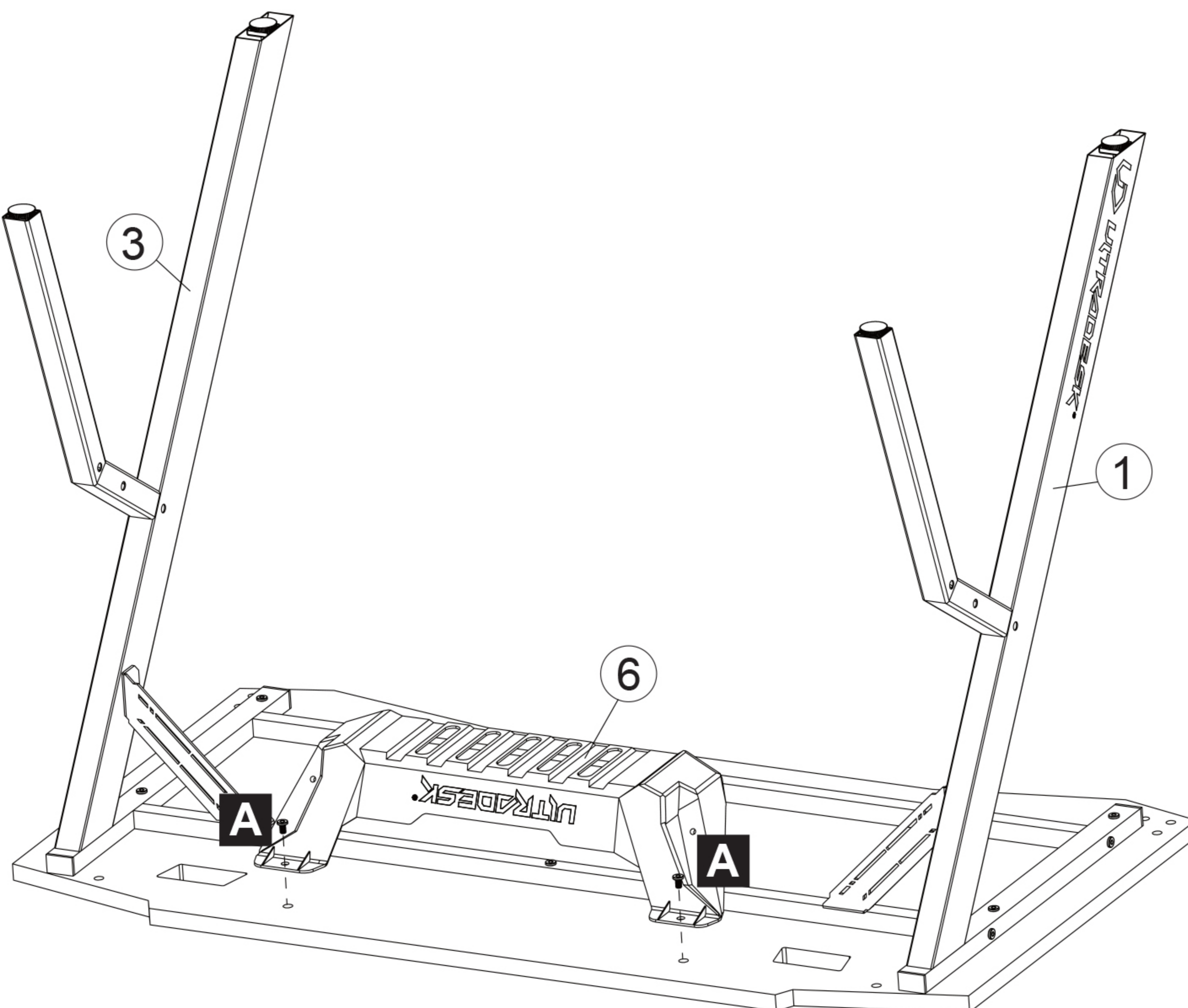


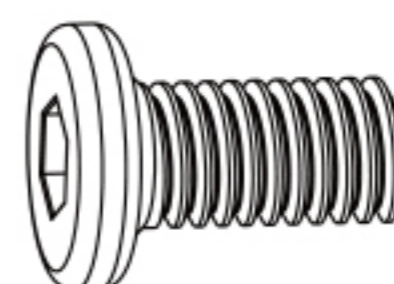

	<b>A</b> X4 M6x10
	<b>E</b> X1 M4

**6.**

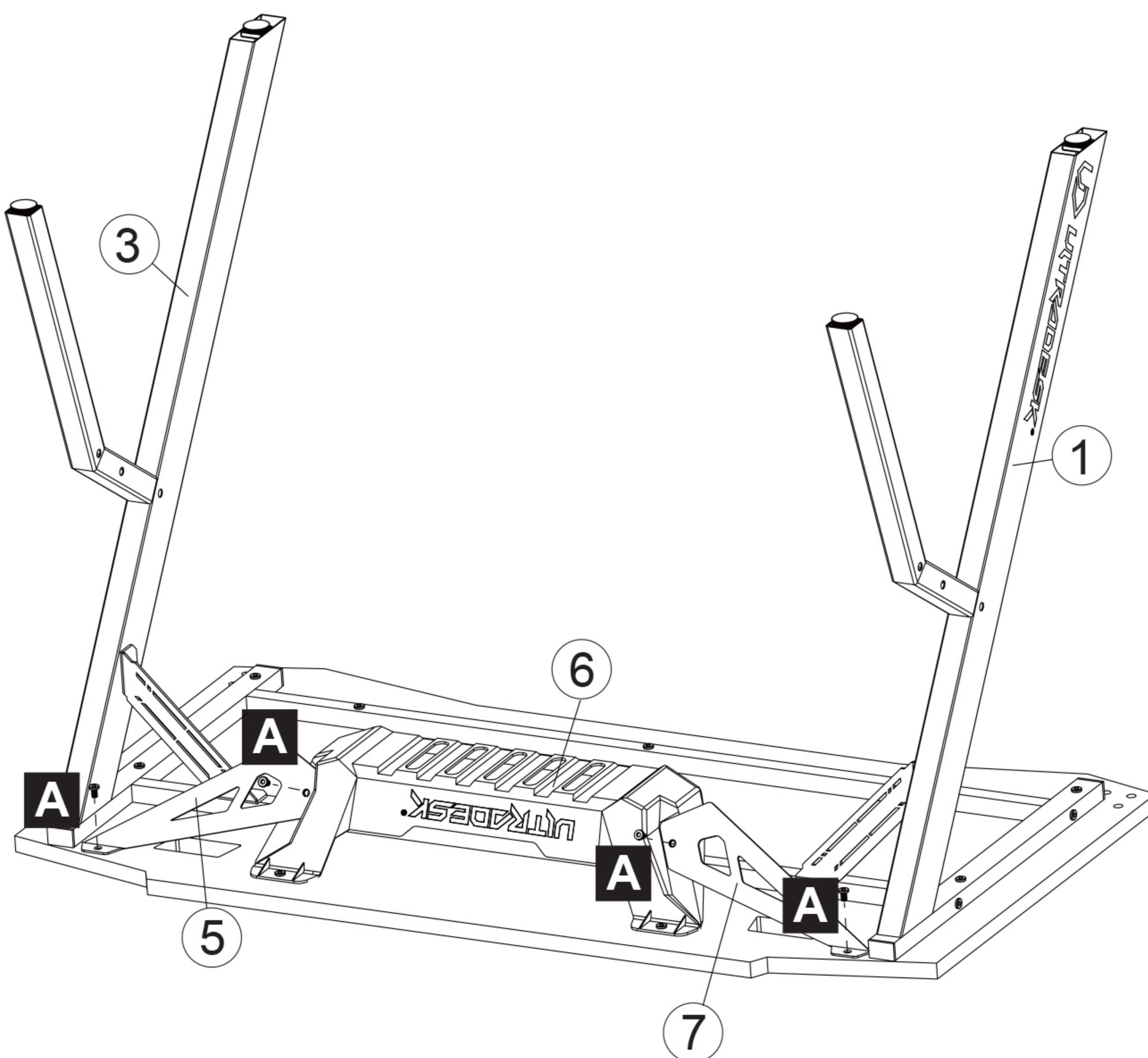
**REMARK:**

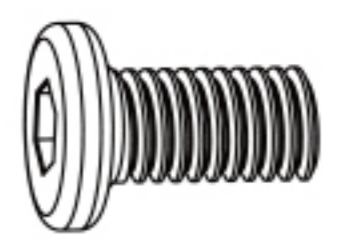

Please fully tighten all the screws installed before.



	<b>A</b> X2 M6x10
	<b>E</b> X1 M4

# 7.

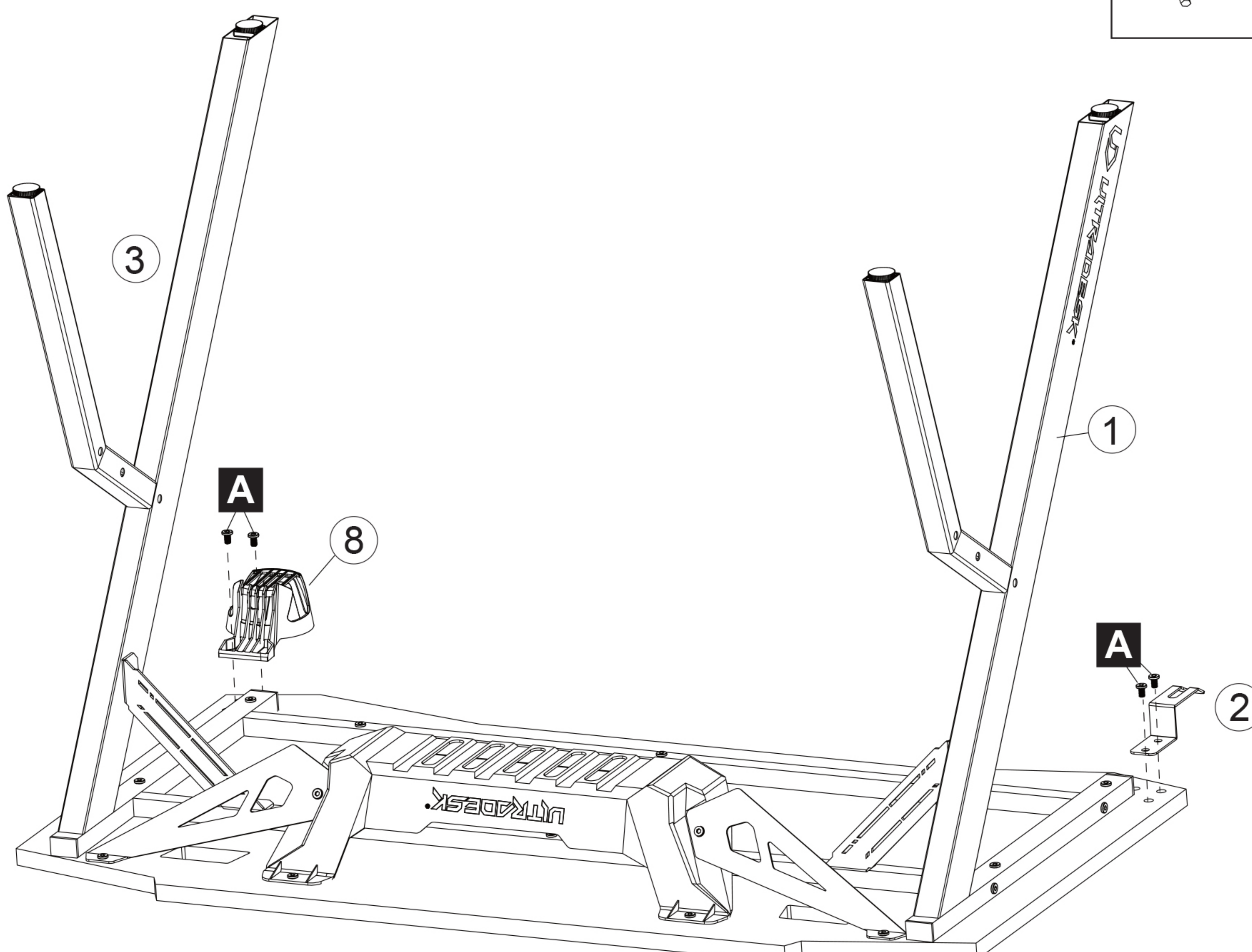


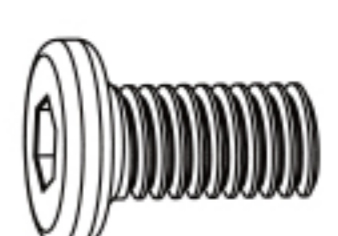

	<b>A</b> X4 M6x10
	<b>E</b> X1 M4

# 8.

**REMARK:**

Part ② and ⑧ can be interchangeable.



	<b>A</b> X4 M6x10
	<b>E</b> X1 M4

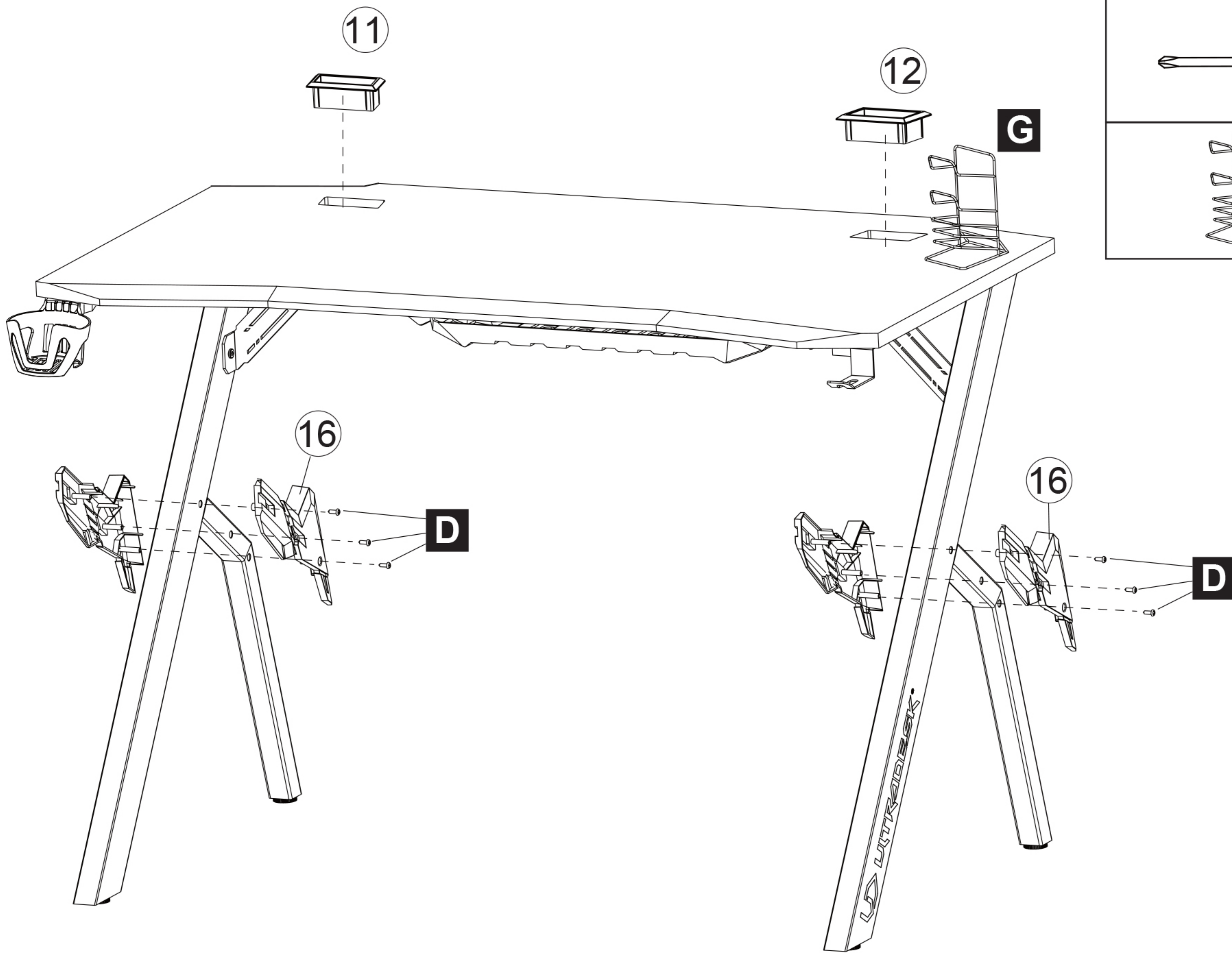




ULTRADESK®



9.



10.

