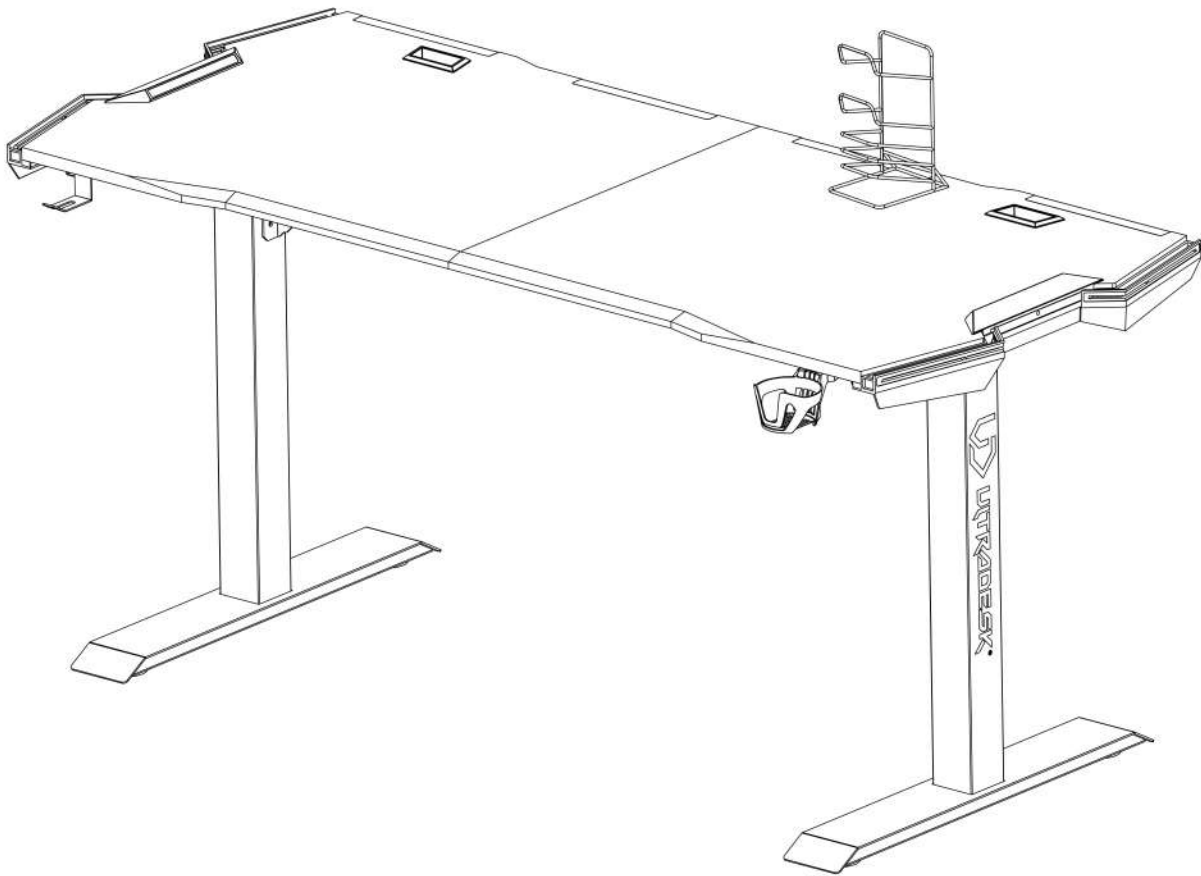




ULTRADESK®

FORCE



INSTAGRAM
@myultradesk



MYULTRADESK

FACEBOOK
@ultradesk



TWITTER
@ultradeskeu



YOUTUBE
Ultradesk





IMPORTANT INFORMATION

READ CAREFULLY.

KEEP THIS INFORMATION FOR FURTHER REFERENCE.

GENERAL GUIDELINES

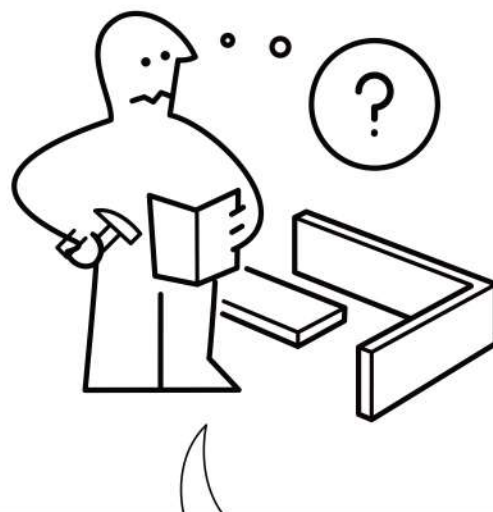
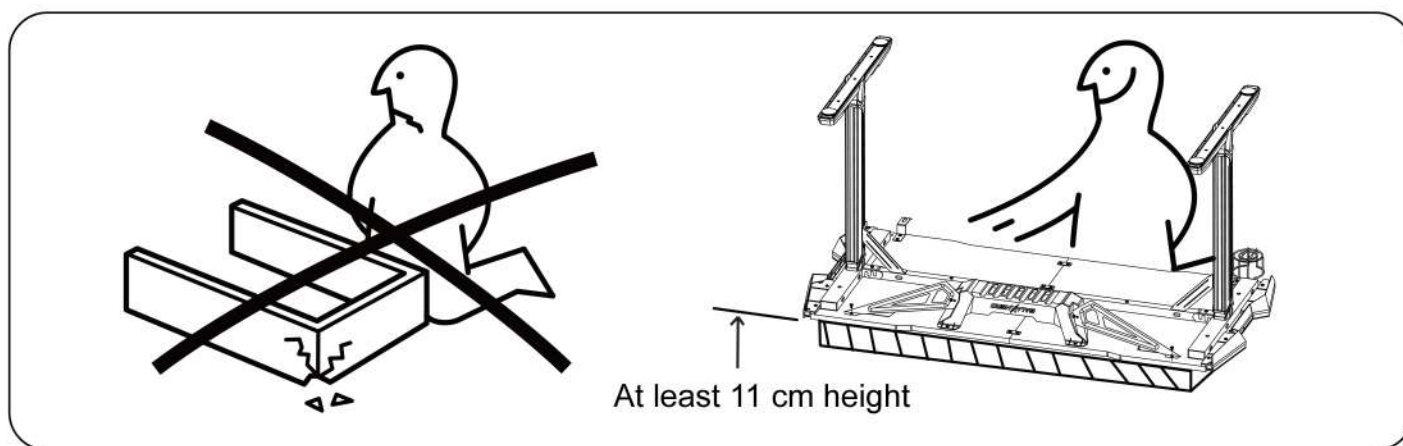
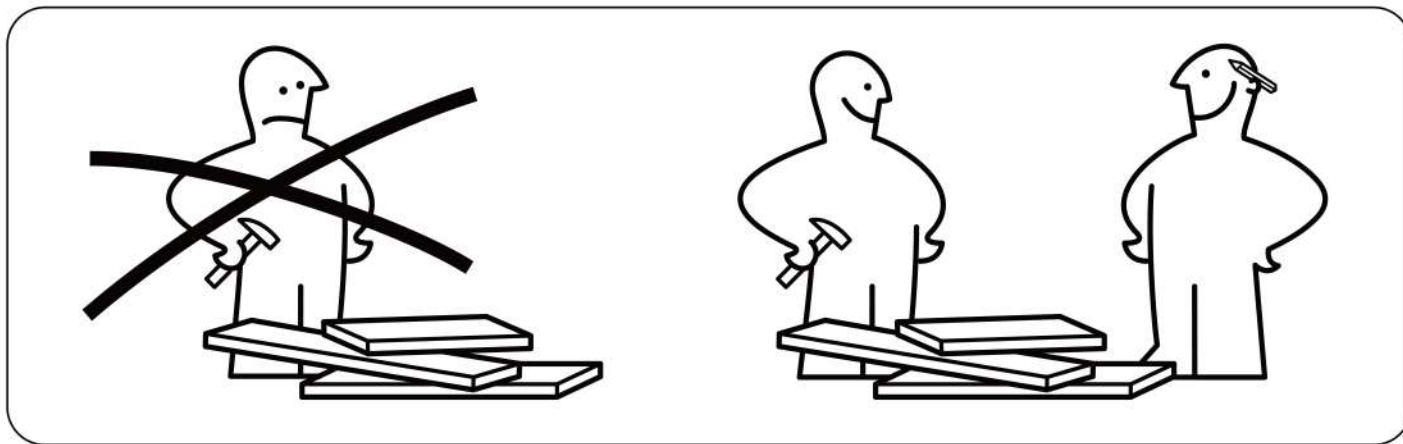
- Please read the following instruction carefully and use the product accordingly.
- Please keep this manual and hand it over when you transfer the product.
- This summary may not include every detail of all variations and considered steps. Please **contact us** when further information and help are needed.

NOTES

- Please follow the assembly instructions precisely and only use the product as intended.
- If an odor is present when first opening the package, please leave the unwrapped product in a shaded and ventilated area for a few days to air out.
- Prior to assembly, please check the product for defects or missing accessories. If any defects are found or accessories are missing, do not use product as damage or injury may occur; **contact us** for assistance and replacement.
- It is suggested you regularly check the products bolts and connections to ensure safe use.
- Assemble the item on a soft flat and clean surface to avoid scratches and damage.
- It is recommended that two people assemble this product.

WARNINGS

- During assembly, keep parts and packaging materials away from children and pets as there could cause injury and are a potential choking hazard.
- Avoid sharp objects or corrosive chemicals to prevent damage to the product.
- Please open the item slowly and cautiously to avoid pinching your hands by metal joints, especially children.

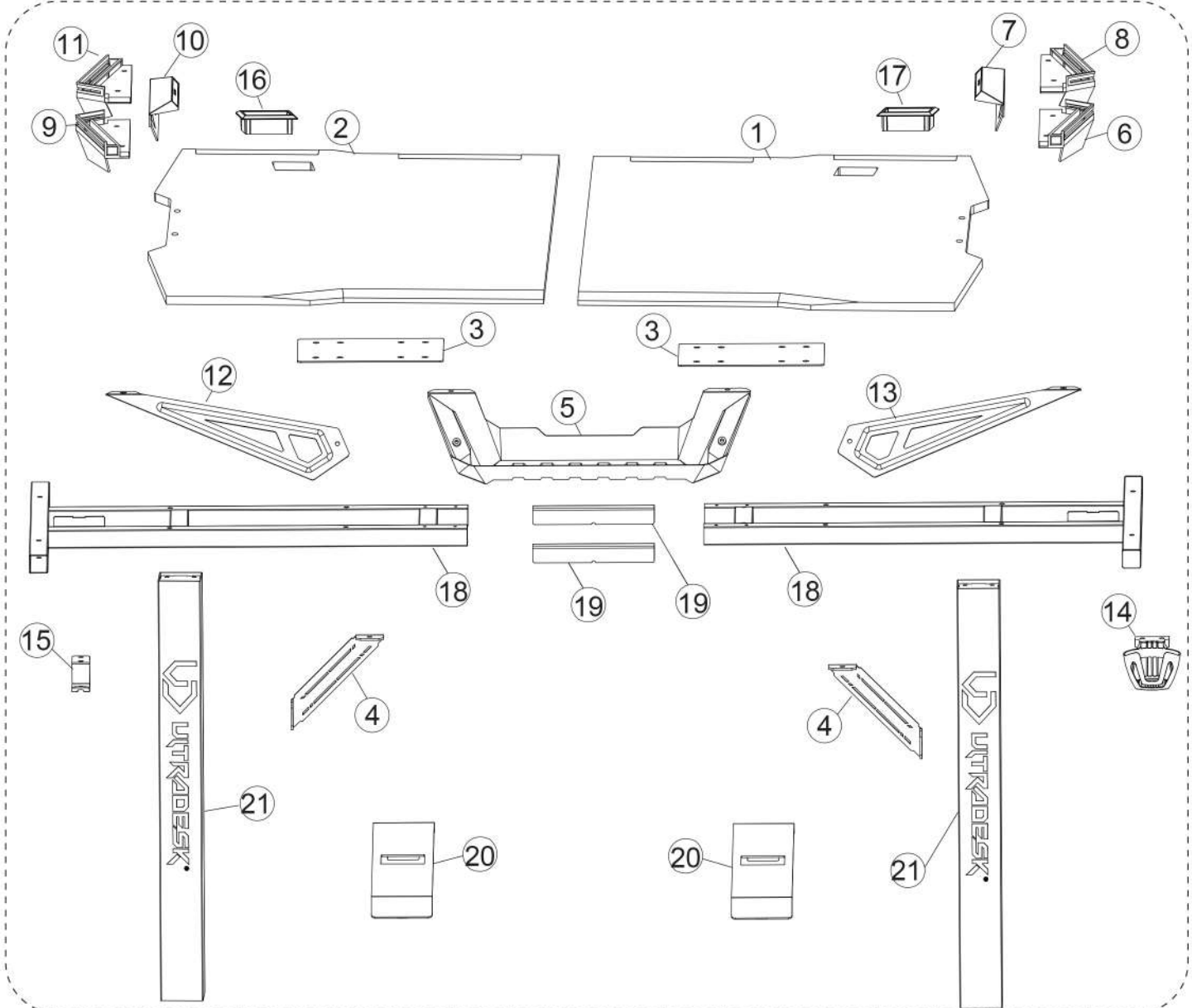


- Please check you have all hardware before assembling.
- Please ensure you have the name of the item and hardware part required and quantity.
- Please contact us by mail, if you have any questions, and we will reply you ASAP.
- Enjoy your new purchase!


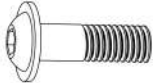


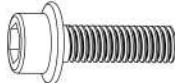









ULTRADESK®

EXPLODED DRAWING:

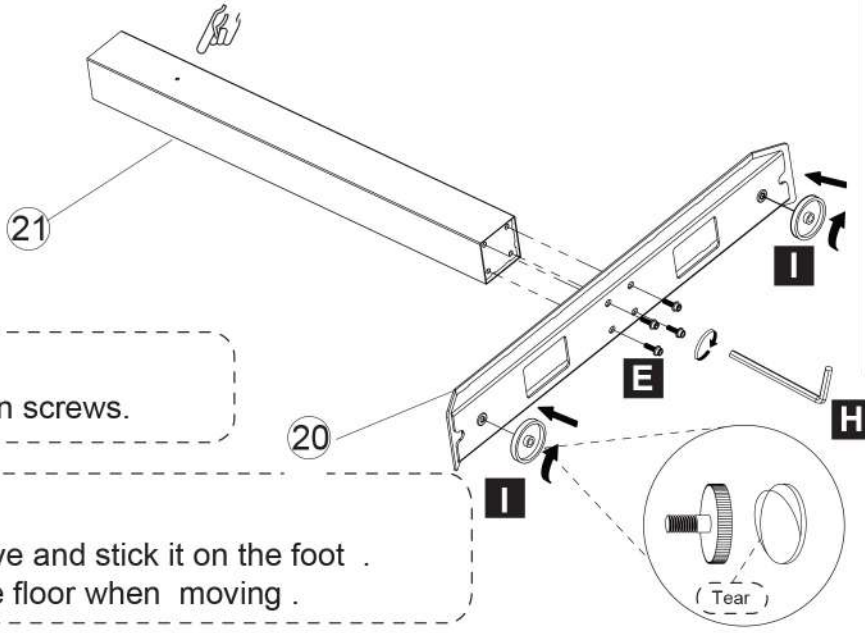






PARTS:

	A X30 M6x14		B X12 M6x20		C X 8 M6x27
	D X12 M6x40		E X16 M8*20		F X1 M4
	G X1 M5		H X1 M6		I X6
	L X4		N X6		M X1

1.

REMARK:
The installation direction is shown in the figure
This step is very important!!



	E X8 M8x20
	H X1 M6
	I X4
	L X4

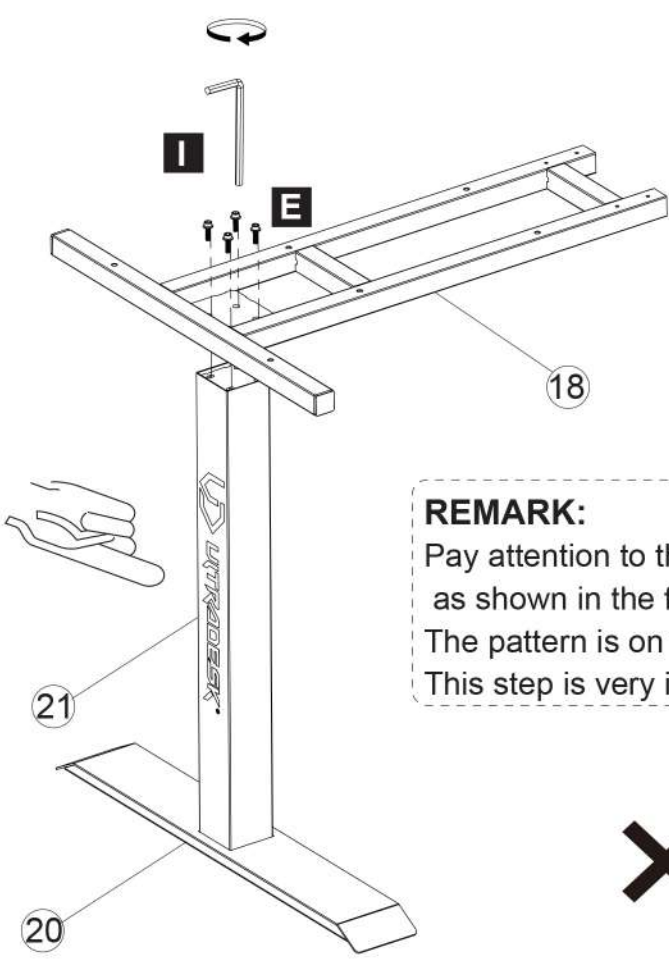
REMARK:
Please fully tighten screws.

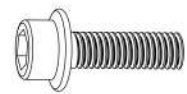

REMARK:
Tear off the adhesive and stick it on the foot .
This can protect the floor when moving .

x2

2.

REMARK:
Recommend two people assembly this product



	E X8 M8x20
	I X1 M6

REMARK:
Please fully tighten screws.

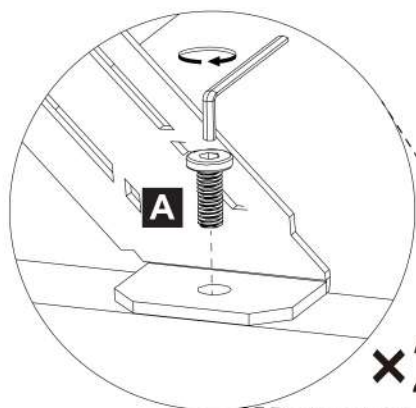
REMARK:
Pay attention to the installation direction of components,
as shown in the figure;
The pattern is on the outside;
This step is very important!!

x2

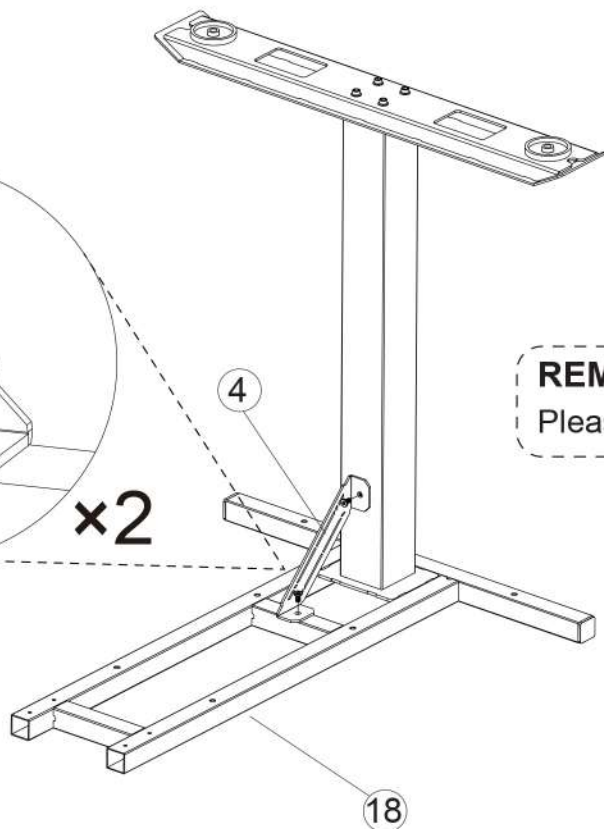




ULTRADESK®

3.



x2



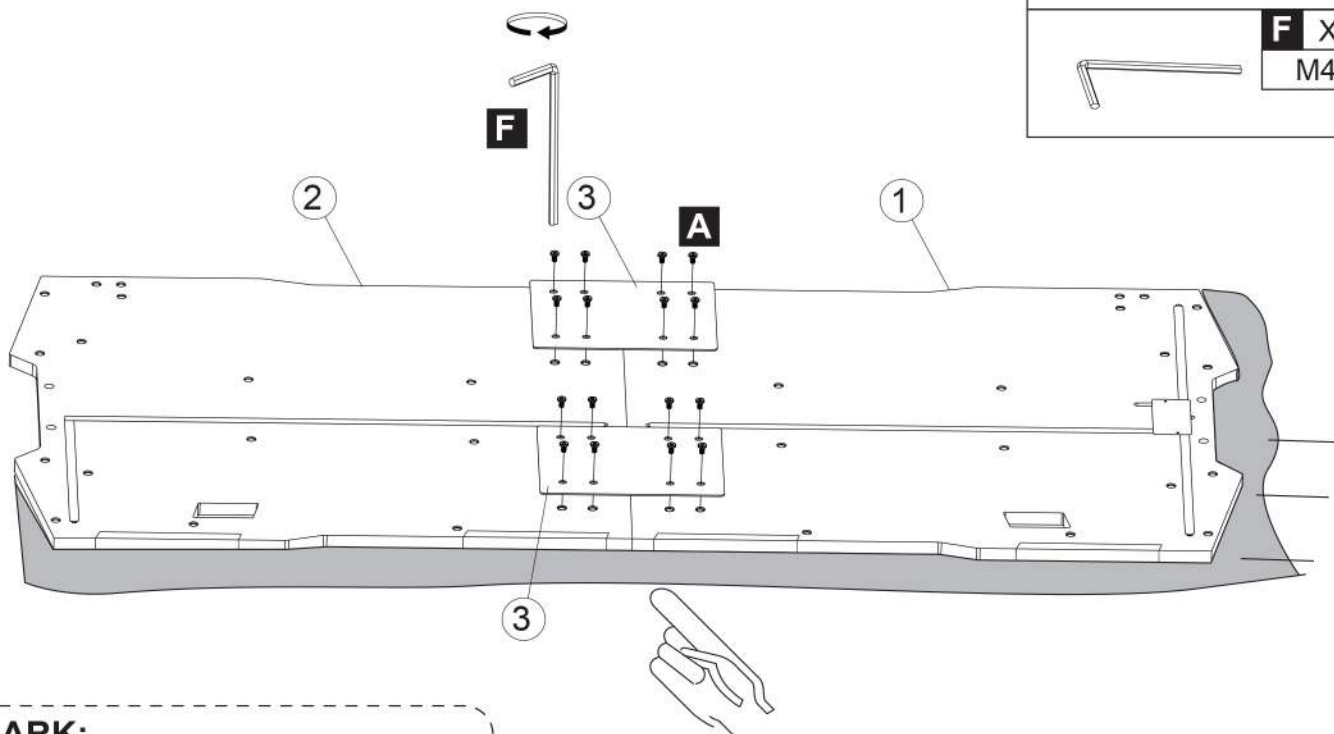
	A X4 M6x14
	F X1 M4



REMARK:

Please fully tighten screws.

x2

4.



	A X16 M6x14
	F X1 M4

REMARK:

Put a blanket under the board to avoid scratch or damage.

REMARK:



After the seam of Part ① and Part ② is aligned, then tighten the screw.

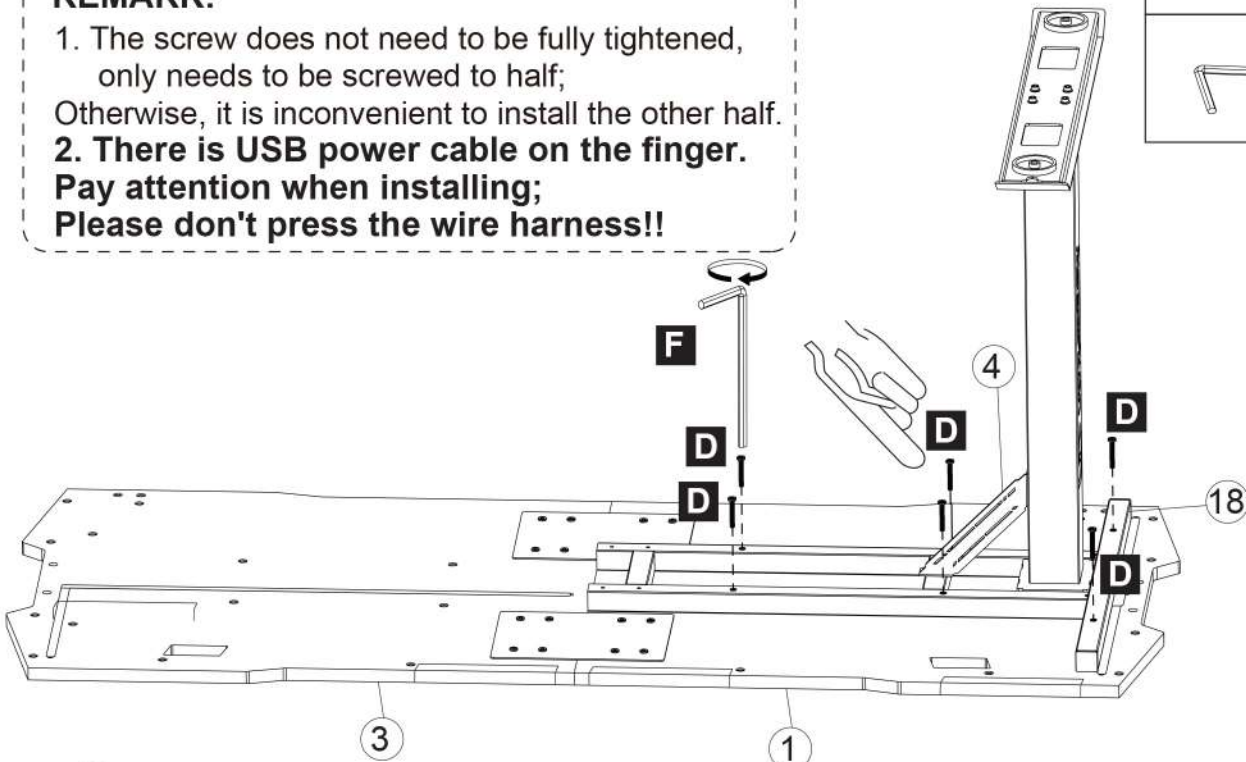


5.



REMARK:

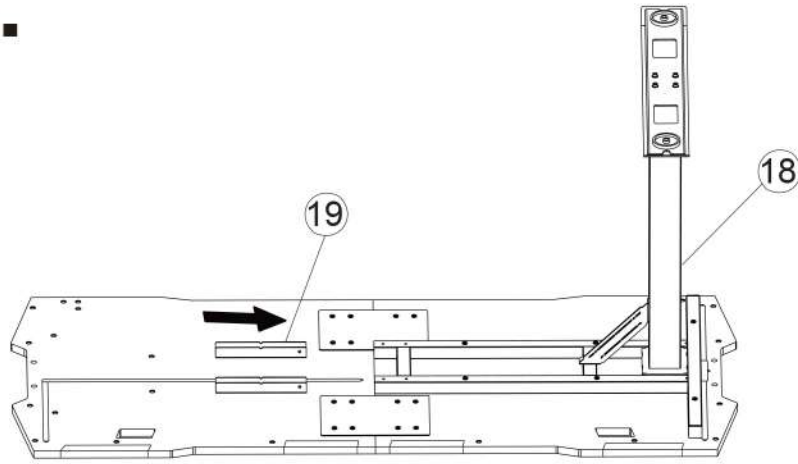
- 1. The screw does not need to be fully tightened, only needs to be screwed to half;
- Otherwise, it is inconvenient to install the other half.
- 2. There is **USB power cable on the finger.**
- Pay attention when installing;**
- Please don't press the wire harness!!**

	D X6 M6x40
	F X1 M4



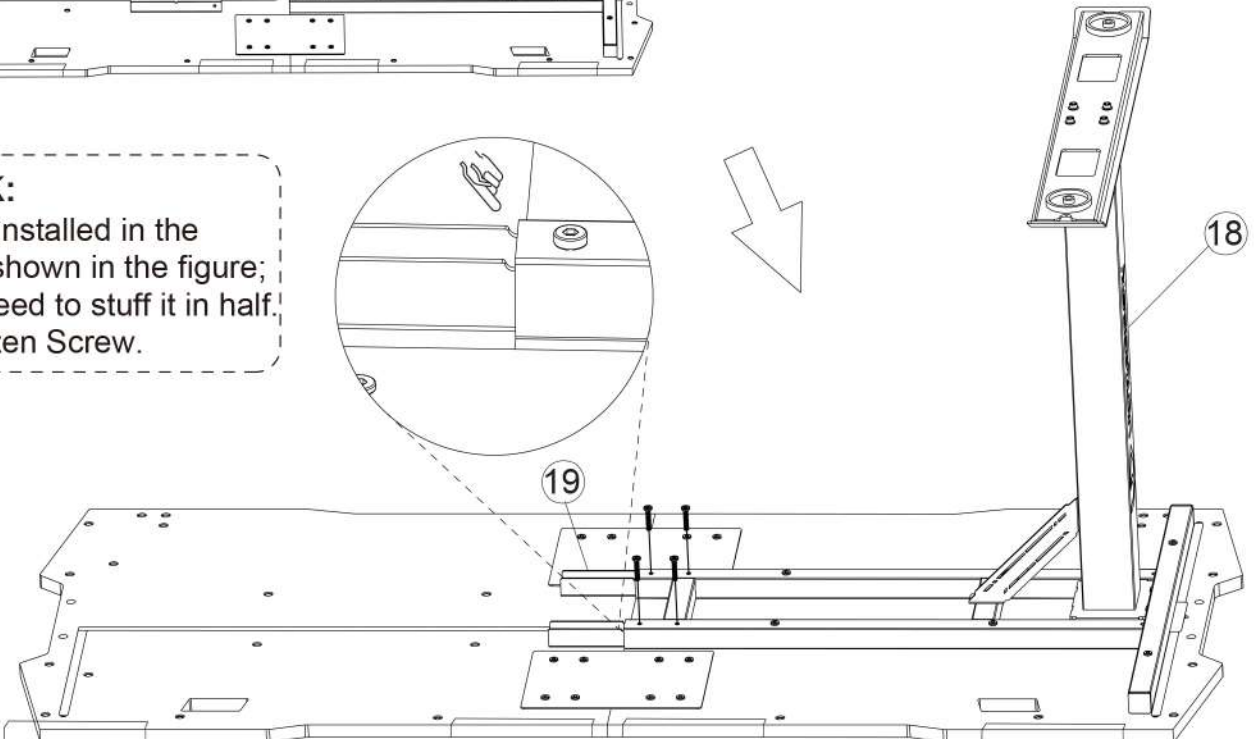
6.

	C X4 M6x27
	G X1 M5

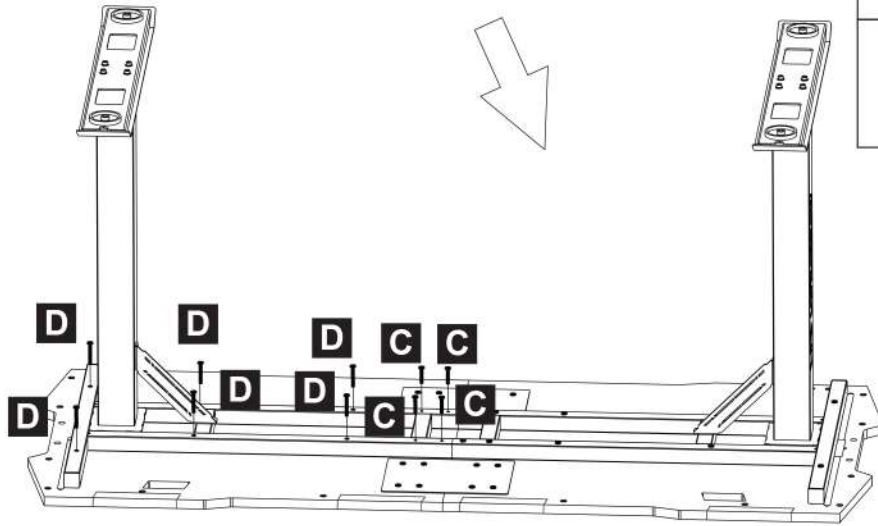
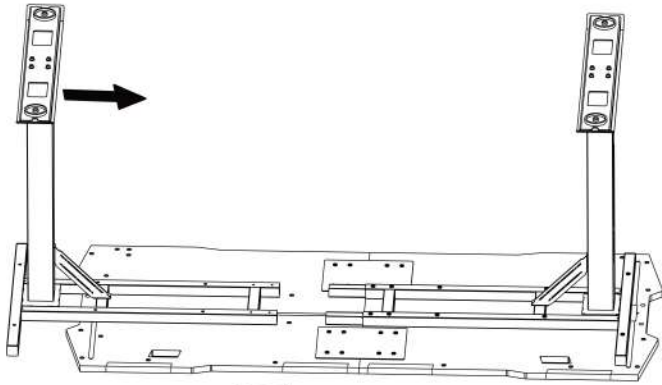






REMARK:

- Part 19 is installed in the direction shown in the figure;
- You just need to stuff it in half.
- Then tighten Screw.

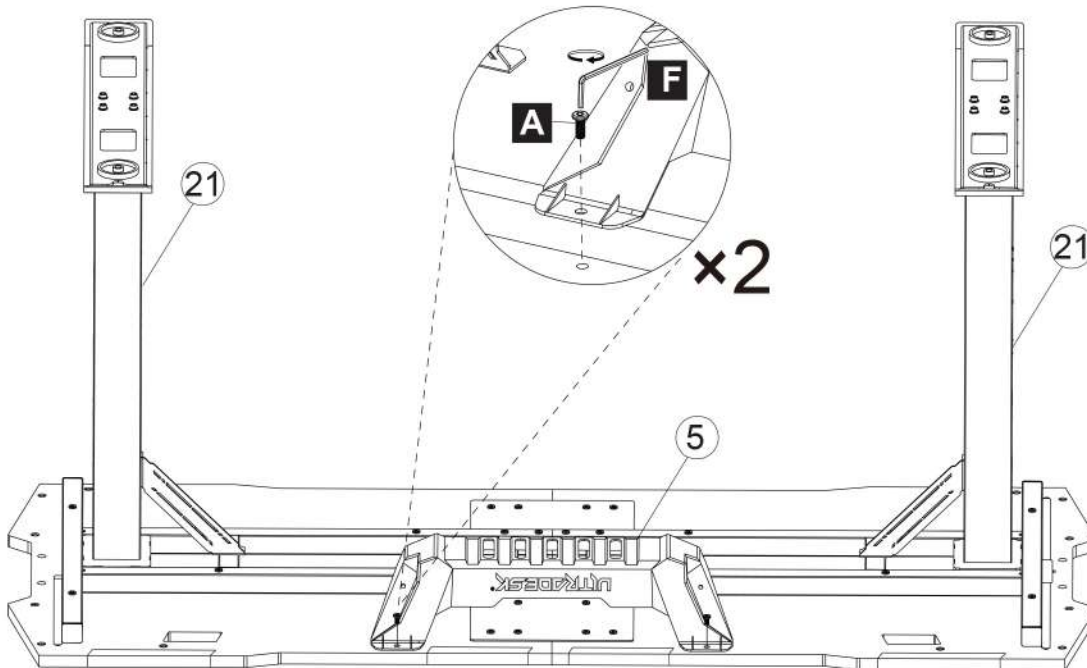




7.



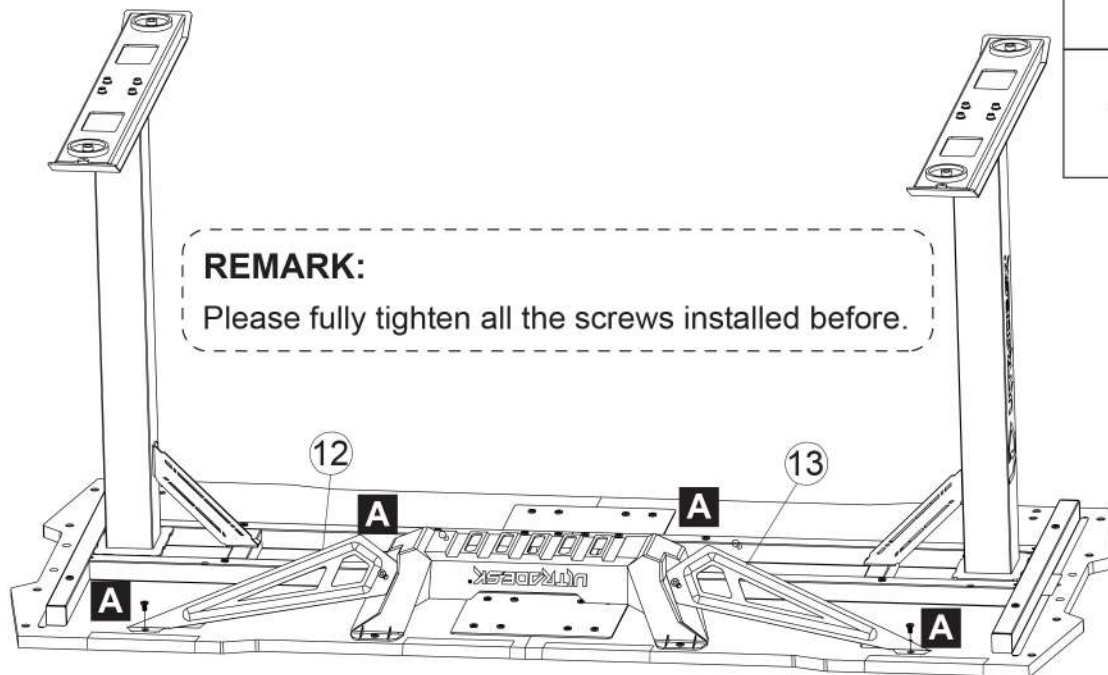
	C X4 M6x27
	D X6 M6x40
	F X1 M4
	G X1 M5

8.





	A X2 M6x14
	F X1 M4

9.

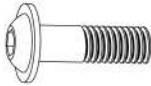



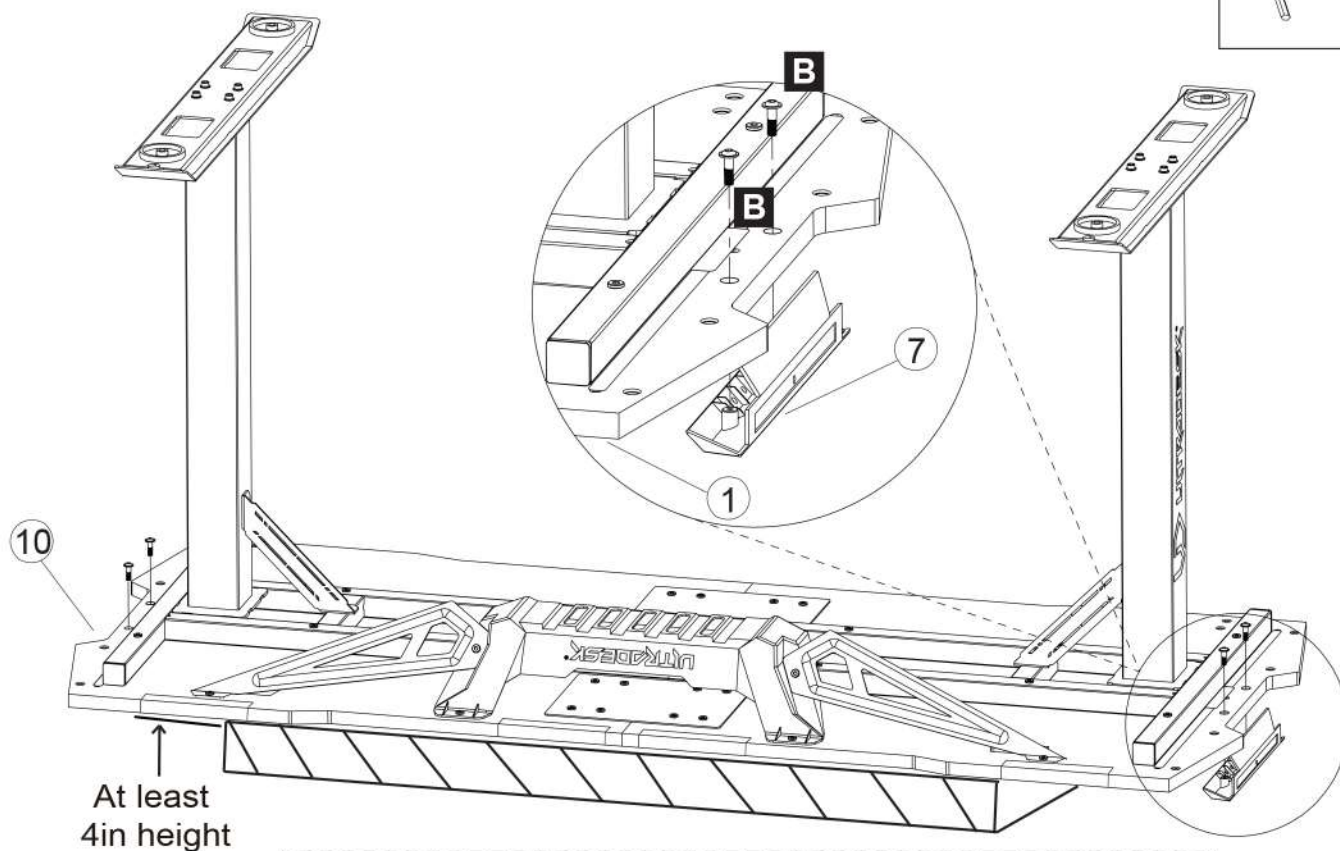
REMARK:
Please fully tighten all the screws installed before.

	A X4 M6x14
	F X1 M4

10.

REMARK:
There are labels on the corner of the table .
Please assembly the plastic parts as per the label .

	B X4 M6x20
	F X1 M4



1. Place the table top on the platform at least 4in height during installation to prevent crushing and scratching the light device.

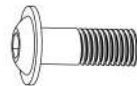




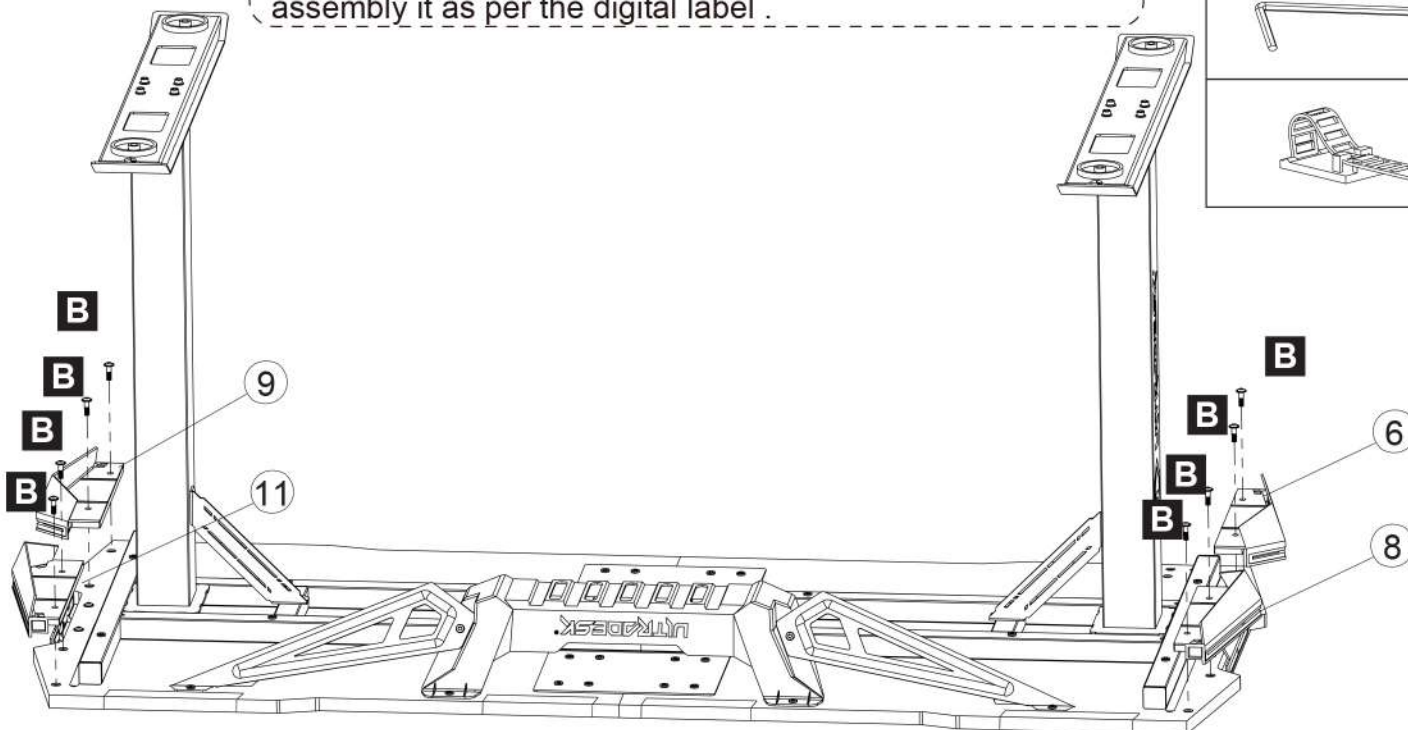
ULTRADESK®

11.

REMARK:

Digital label is pasted on the corner of the table and please assembly it as per the digital label .

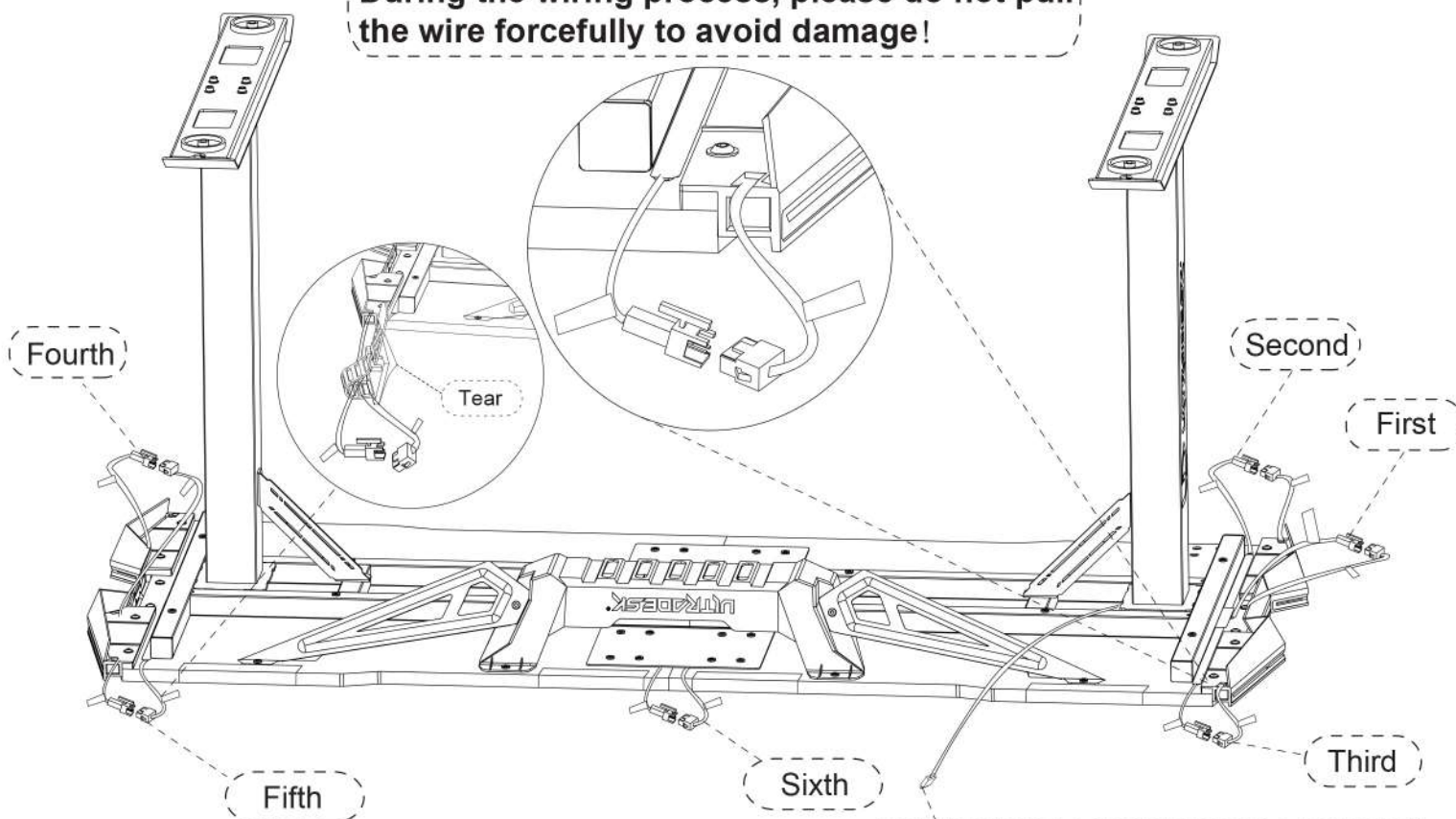
	B X8 M6x20
	F X1 M4
	N X6



12.

REMARK:

Two cables with the same color label are connected. During the wiring process, please do not pull the wire forcefully to avoid damage!



REMARK:

Carefully remove the body paper when using cable tie clamps, then quickly place the product in the proper position and press it firmly to maintain complete contact.

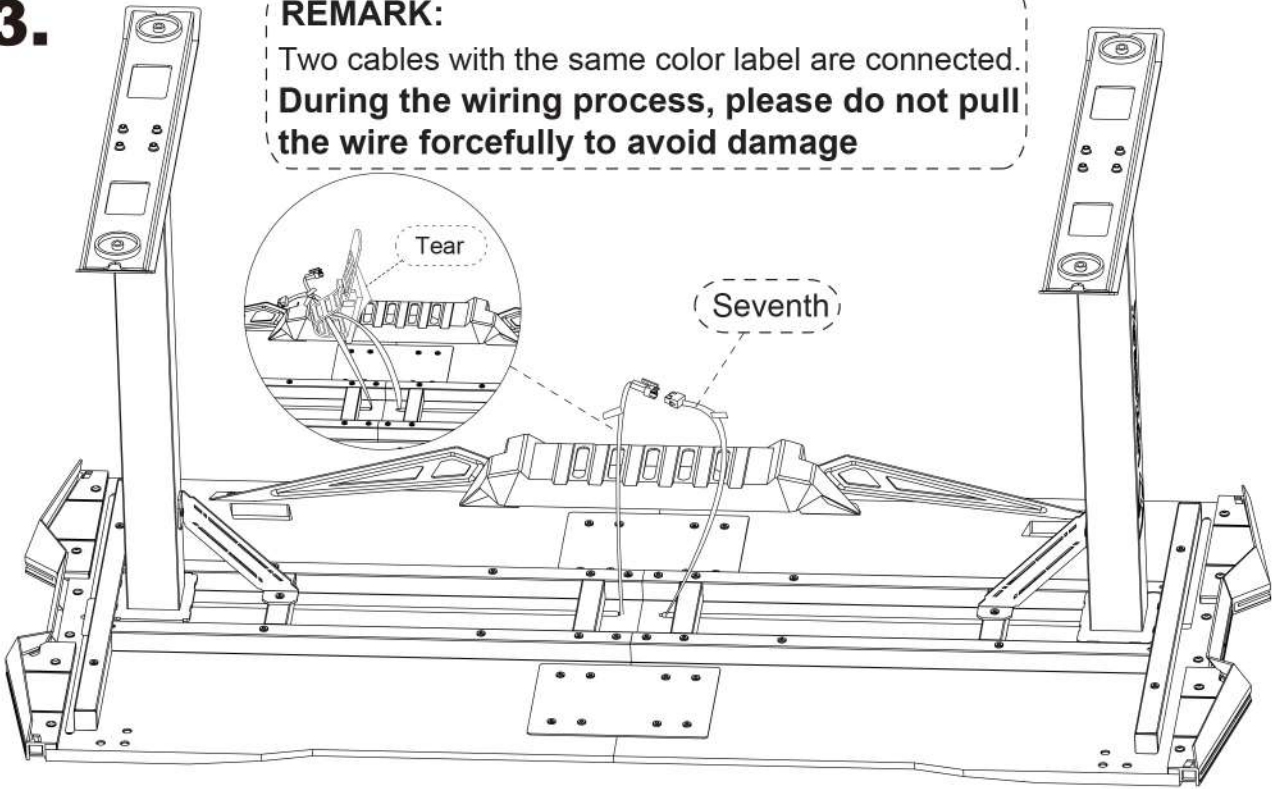
USB charging cable, input voltage: 5V; Input current 1.5A





13.

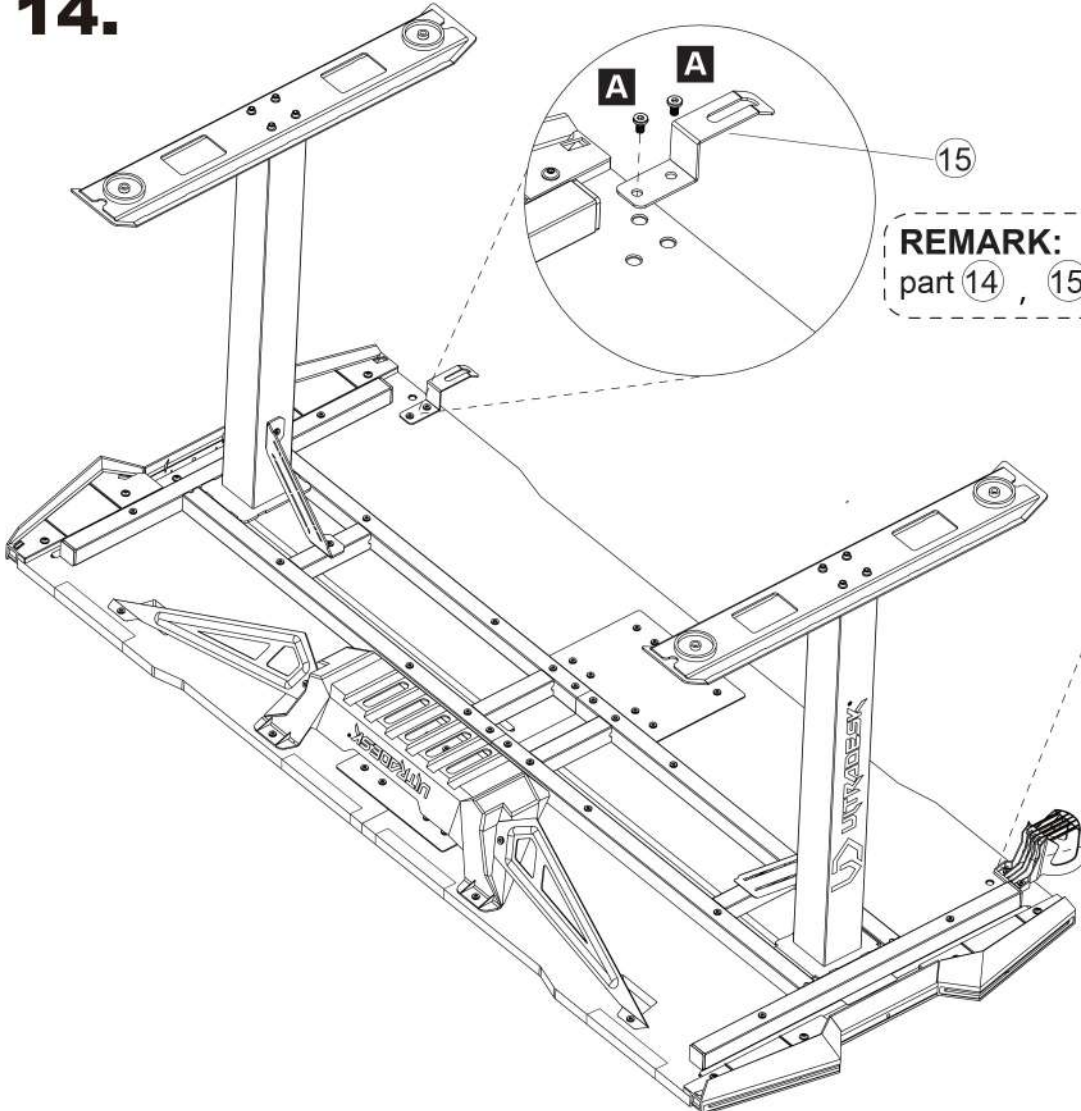
REMARK:

Two cables with the same color label are connected.
During the wiring process, please do not pull the wire forcefully to avoid damage



14.

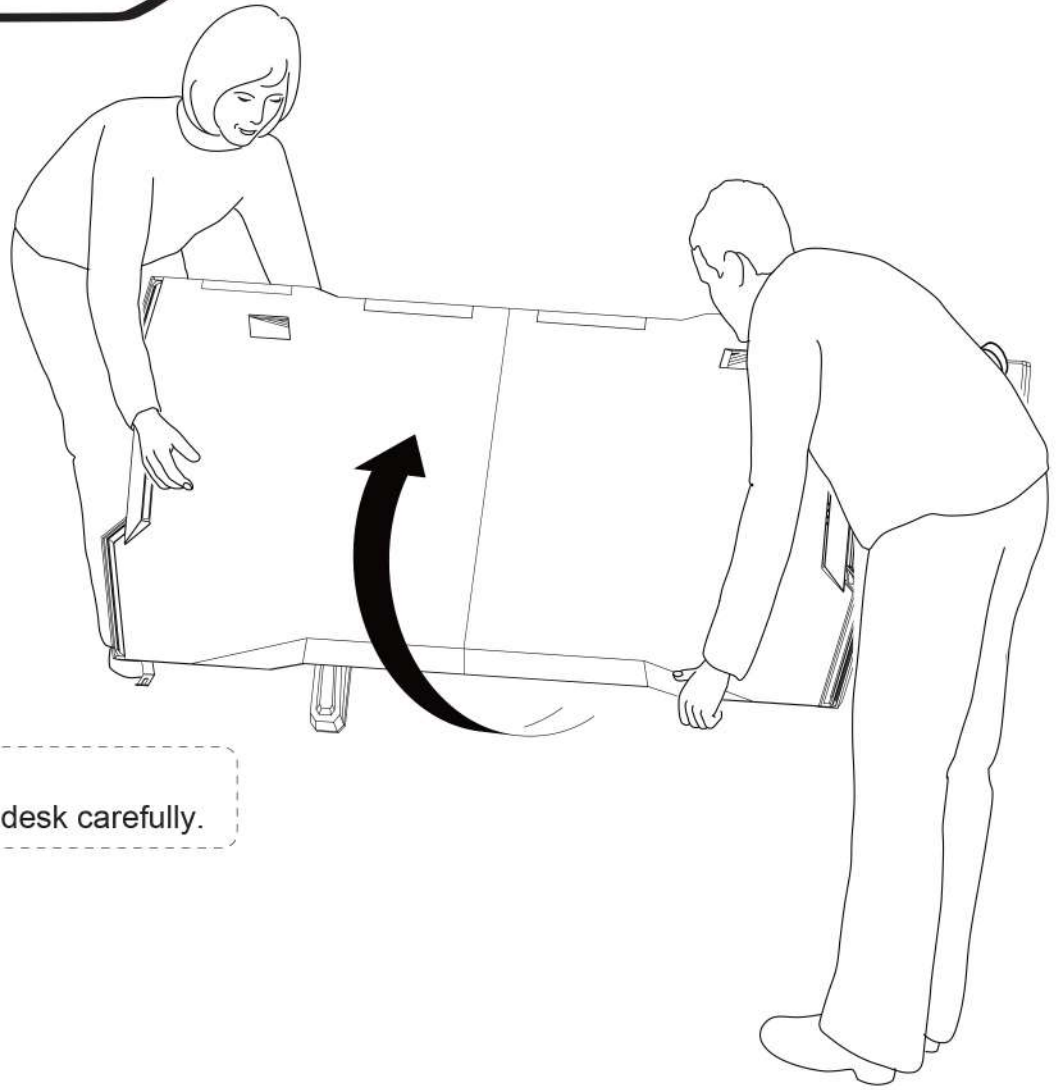
	A X4 M6x14
	F X1 M4



REMARK:

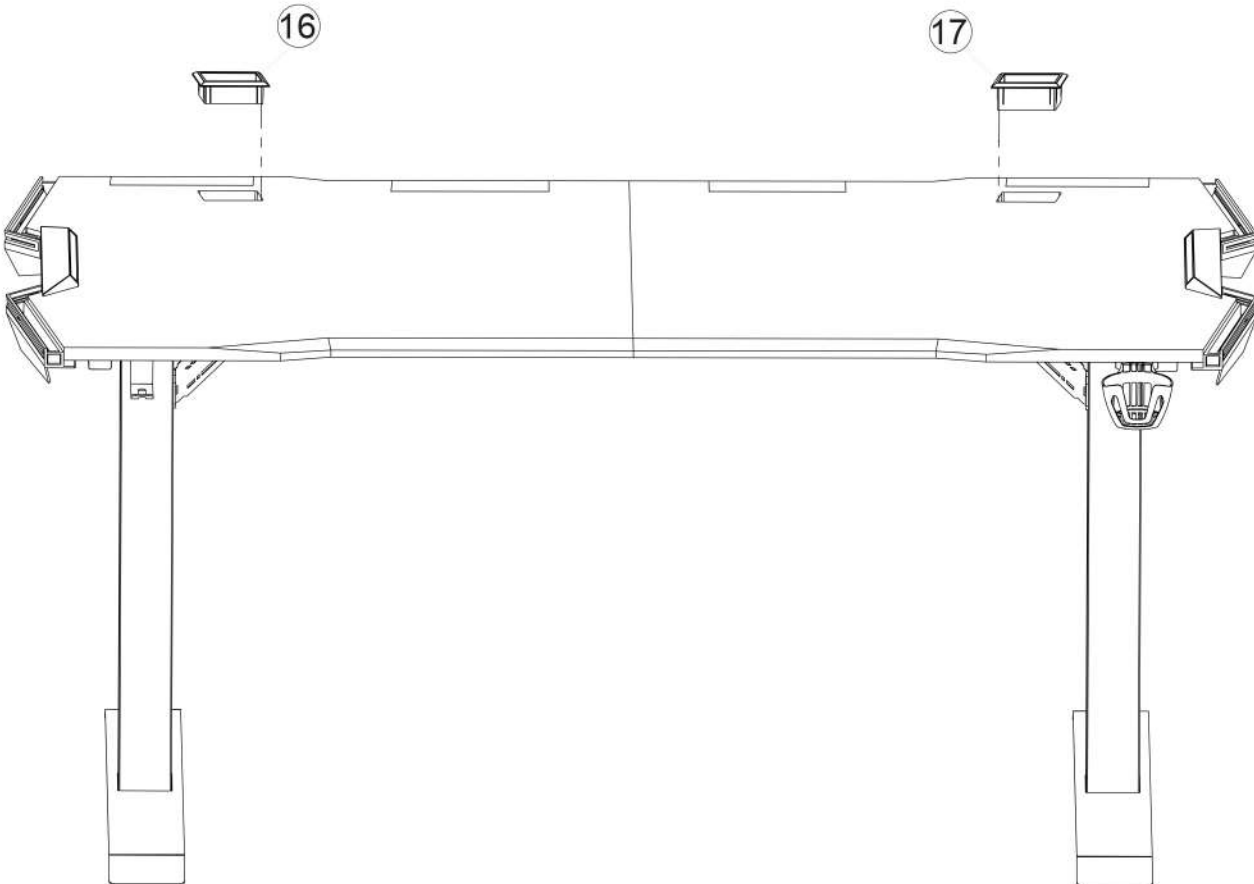
part 14 , 15 can be interchangeable .

15.



REMARK:
Need two people to flip the desk carefully.

16.

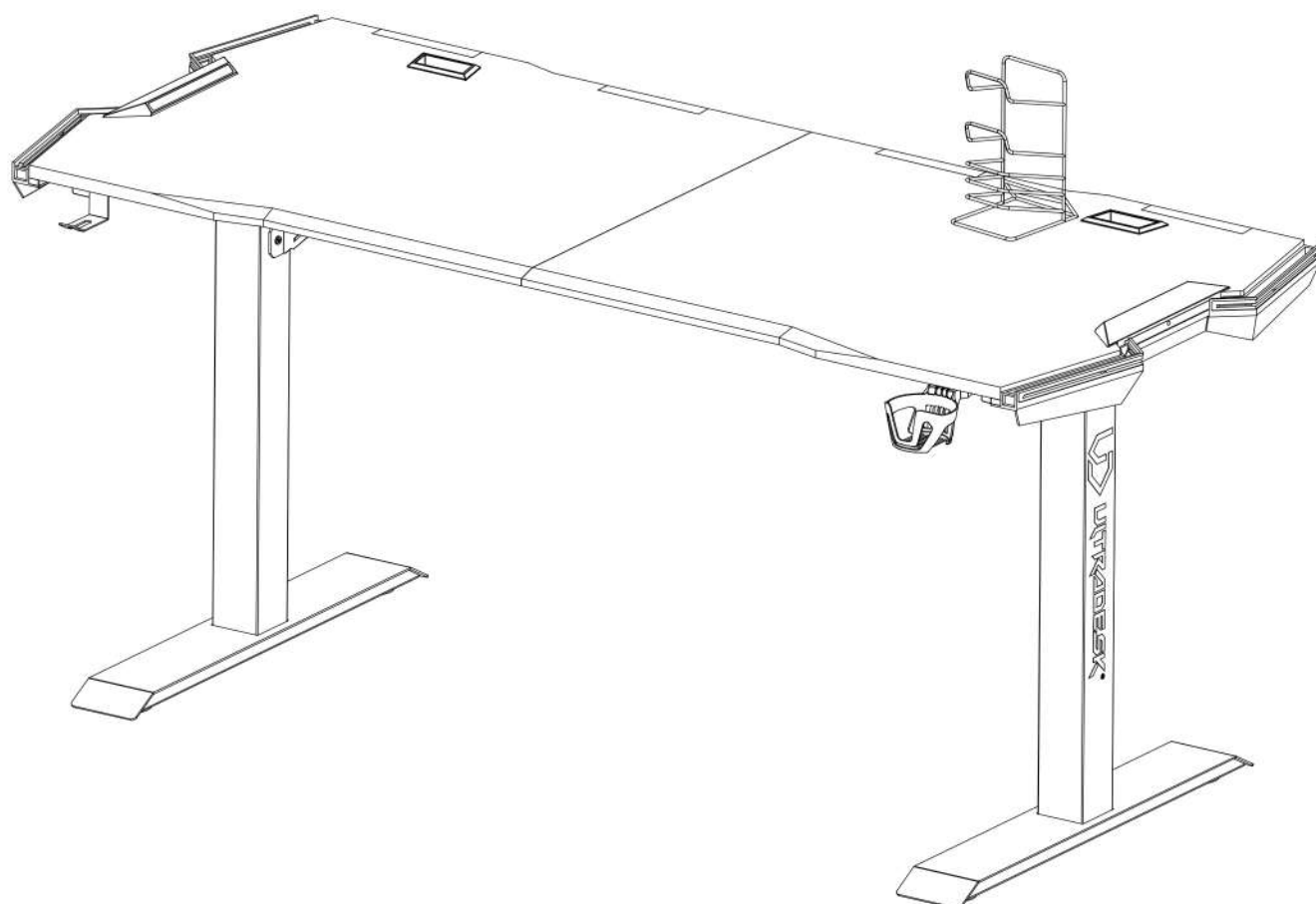
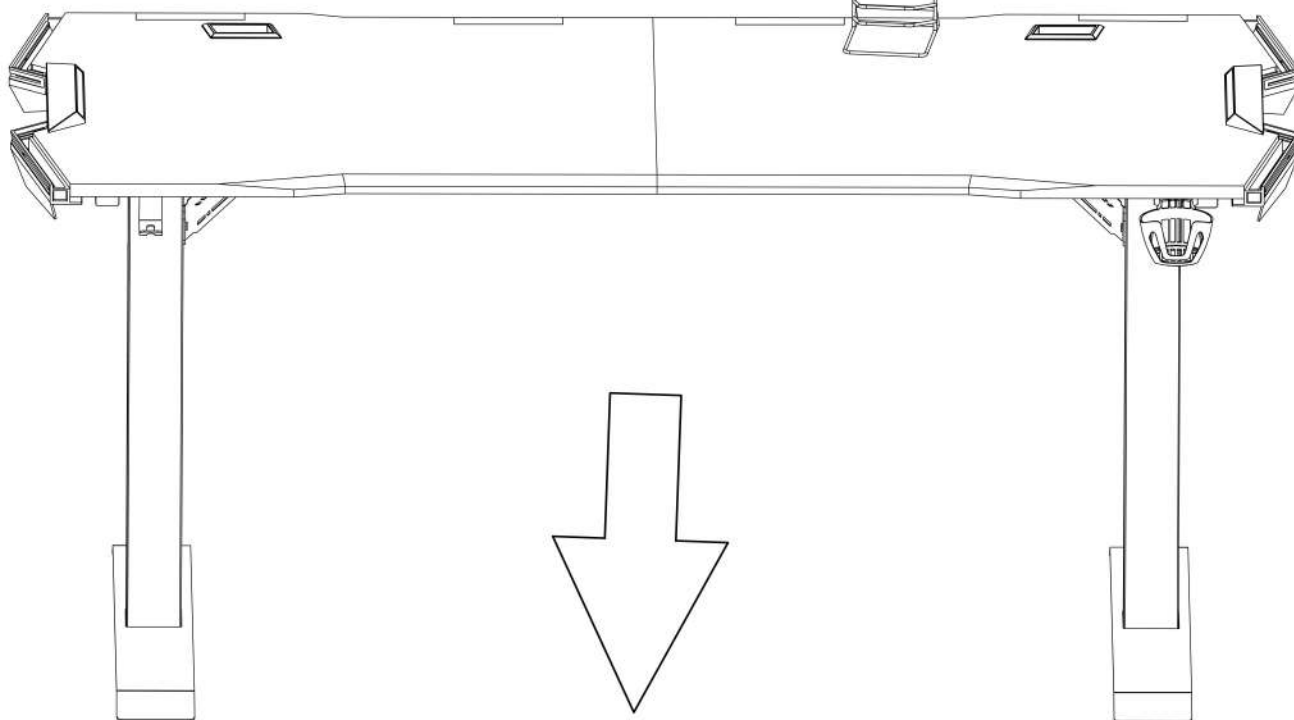




17.



M



Light Instructions

①: Light Button Instructions

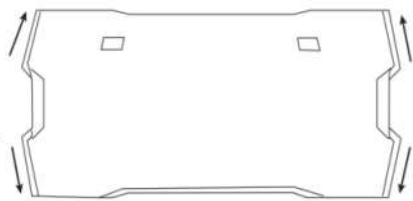
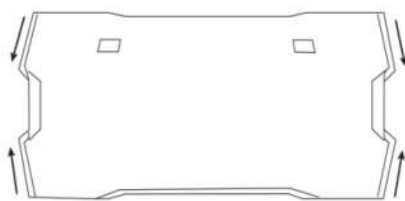



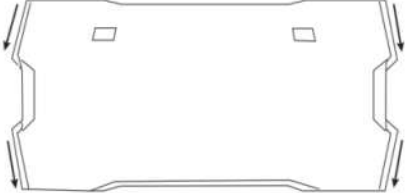







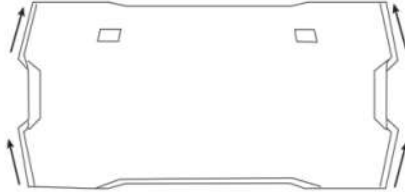



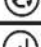










⏻	ON/OFF ----- Light memory function
📊	Brightness / speed adjustment ----- brightness has seven levels (only changeable for static monochrome).Speed also has seven levels (adjustable except static monochrome)
🔄	Color adjustment ----- 9 colors for switching
☰	Mode adjustment ----- 22 modes for adjustment

②: Description of 5 dynamic effects of lighting

Breathe	White light rhythmic flashing
Meteor	The light flows as a meteor, with a gap
Wave	The light flows as waves, without gaps
Full Color	Eight-color light cycles alternately
Contrast color	Two colors half and half, static display

③: Description of 22 modes of the lighting

	Mode ☰	Button indication	Types	Remarks	
1	Breathe	ON ⏻		Light memory function (automatically jump to the last shutdown state after three seconds of breathing)	
2	Static monochrome	Switch color 🔄	9	White Yellow Green Cyan-blue Blue Purple Rose Red Orange	
		Switch brightness 📊	7		
3	Static breathing	Switch color 🔄	10	The 10th is a full color breath color	
		Switch speed 📊	7		
4	Monochromatic meteor divergence	Switch color 🔄	9	<p>The light diverges from the middle to the sides. Full color mode, no color switching function.</p> 	
		Switch speed 📊	7		
5	Monochromatic wave divergence	Switch color 🔄	9		
		Switch speed 📊	7		
6	Two-color wave divergence	Switch color 🔄	6		
		Switch speed 📊	7		
7	Full color streamer divergence	Switch color 🔄	1		
		Switch speed 📊	7		
8	Monochrome meteor gathering	Switch color 🔄	9		<p>Light flows from both sides to the middle. Full color mode, no color switching function</p> 
		Switch speed 📊	7		
9	Monochrome wave gathering	Switch color 🔄	9		
		Switch speed 📊	7		
10	Two-color wave gathering	Switch color 🔄	6		
		Switch speed 📊	7		
11	Full color streamer gathering	Switch speed 📊	1		

12	Monochrome meteor backwards	Switch color 	9	 <p>Light flows from the back of the table to the front. Full color mode, no color switching function</p>	
		Switch speed 	7		
13	Monochromatic wave backwards	Switch color 	9		
		Switch speed 	7		
14	Two-color wave backwards	Switch color 	6		
		Switch speed 	7		
15	Full color streamer backwards	Switch speed 	1		
16	Monochrome meteor forward	Switch color 	9		 <p>Light flows from the front of the table to the back. Full color mode, no color switching function.</p>
		Switch speed 	7		
17	Monochrome wave forward	Switch color 	9		
		Switch speed 	7		
18	Two-color wave forward	Switch color 	6		
		Switch speed 	7		
19	Full color streamer forward	Switch speed 	1		
20	Monochrome meteor counterclockwise	Switch color 	9	<p>The light flows counterclockwise</p> 	
		Switch speed 	7		
21	Monochrome meteor clockwise	Switch color 	9	<p>The light flows in a clockwise direction</p> 	
		Switch speed 	7		
22	Static contrast color	Switch color 	12	<p>Two colors half and half, static display.</p>	
		Switch brightness 	7		

Simply plug the USB on the desk to the power supply or the usb of the computer to enjoy the perfect cool lighting!