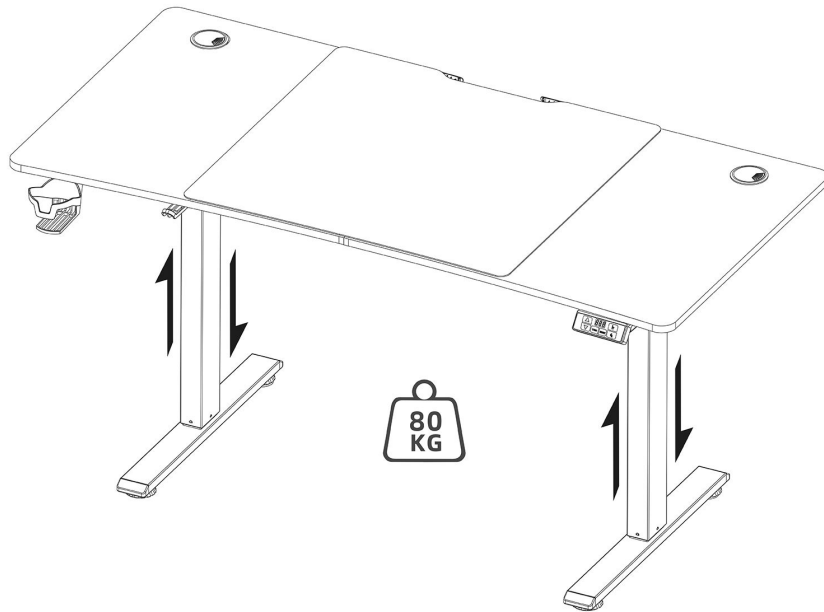




ULTRADESK[®]

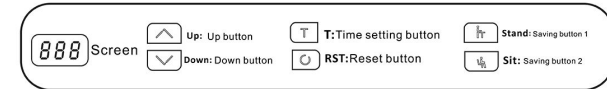
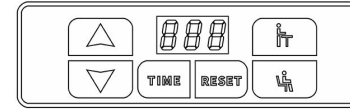
LEVEL

ASSEMBLY INSTRUCTIONS



NOTES:

1. Operating voltage: AC100~240V, frequency 50/60HZ.
2. Operating temperature: -10~40°C.
3. Before use, please check whether all power lines are fully connected and firm.
4. Before use, please check the surrounding environment and ensure there are no obstructions above or below the desk.
5. This product is not to be used by children. Adult supervision is required.
6. Do not use, if any cables (electrical parts) are damaged.
7. The product is not suitable for use while being moved. If you must move it, please prevent it from being damaged.
8. It is normal for a slight jitter to occur, when the desk starts to rise and fall. This will not affect the service life.



Reset Operation:

- * When the table is installed for the first time or failure occurred during use, perform the following operations:
 - ◆ Pull out the power cord and motor line, and then re-plug, to ensure that they are firm;
 - ◆ Press and hold RST "⏻" for 3s until "---" is on the screen, release the button. The desktop automatically moves up and down to find the highest and lowest height. When this process stops, the reset operation is complete.

Up and down button operation

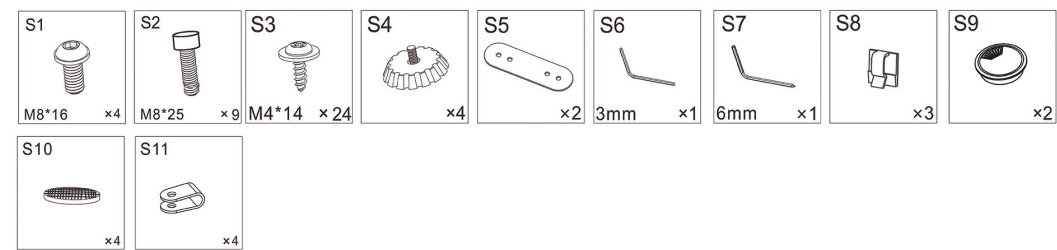
- ◆ When the "▲" button is pressed, the desktop runs up until reaching the highest height.
- ◆ When the "▼" button is pressed, the desktop runs down until it reaches the lowest height.
- ◆ The display flashes when the "▲" button is pressed for 3s, and when the button is released, it automatically reaches the highest point on the table, and can be stopped midway by any press.
- ◆ The display flashes when the "▼" button is pressed for 3s, and when the button is released, it automatically reaches the lowest point on the table, and can be stopped midway by any press.

Location Store/Memory Location operation

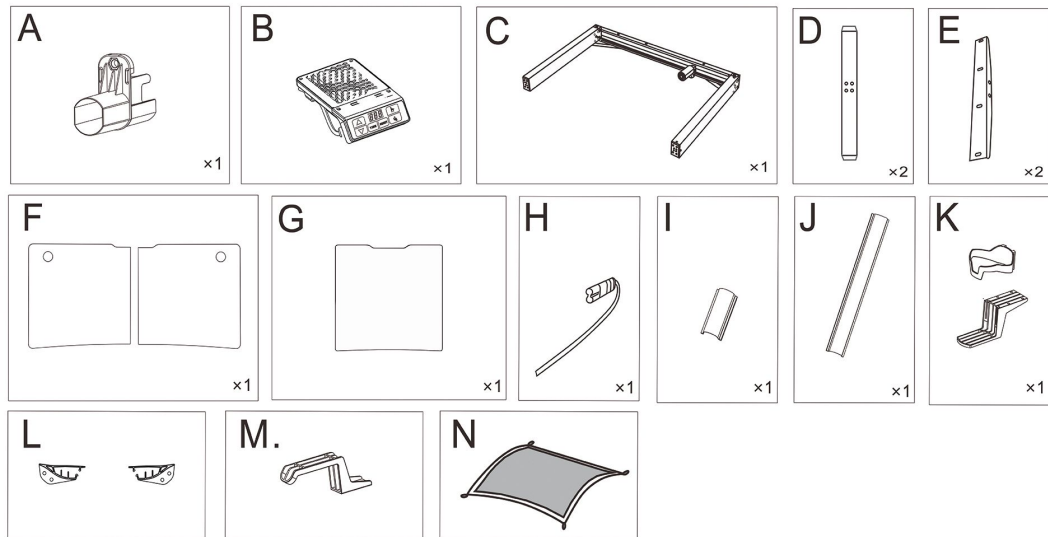
- ◆ Press and hold "⏻" for 3s, the display flashes and the stand position is saved.
- ◆ Press and hold "🪑" for 3s, the display flashes and the sitting position is saved
- ◆ Station memory position running: press the "⏻" button, the desktop automatically run to the height of the memory position, and can be stopped midway by any press.
- ◆ Sitting memory position operation: press the "🪑" button, the desktop automatically runs to the height of the memory position, and can be stopped midway by any press.

Stand and sit reminder (Countdown Method)

- ◆ The countdown time offers 3 levels of time, T30=30 minutes, T45=45 minutes, T60=60 minutes,
- ◆ Start the countdown by pressing "⏻" briefly to display "[30/745/50/" in sequence and the countdown will start.
- ◆ Exit countdown:
 1. Press "⏻" will display the number on the screen:
 2. When the countdown is over, the display will flash Chr on the screen, and it will flash for 1 minute, press any button can stop the timing and exit.
 3. Without any action, it will automatically exit the timer after 3 consecutive reminders at 5 minute intervals.

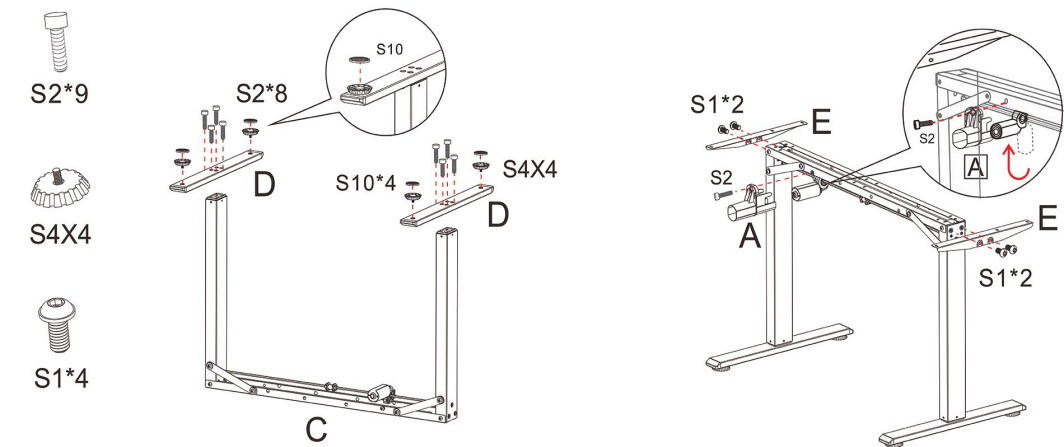


• PARTS AND ACCESSORIES

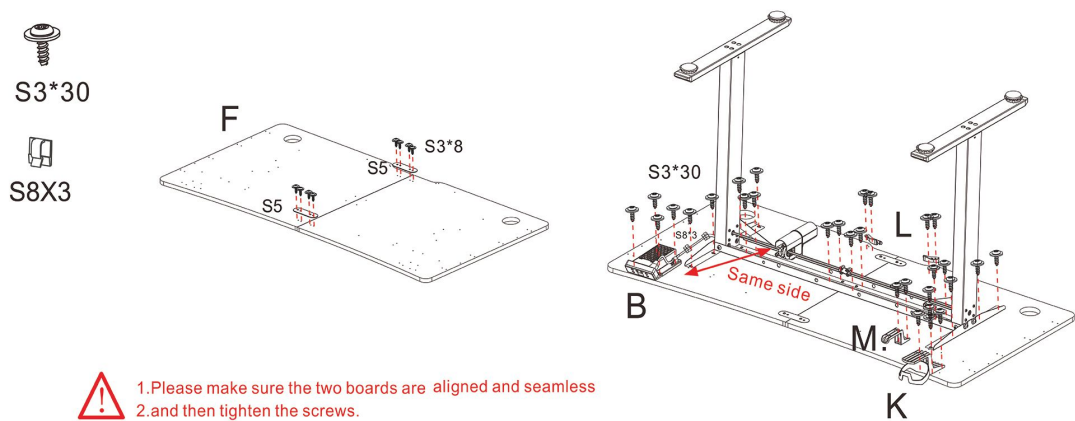


• INSTALLATION STEPS

1

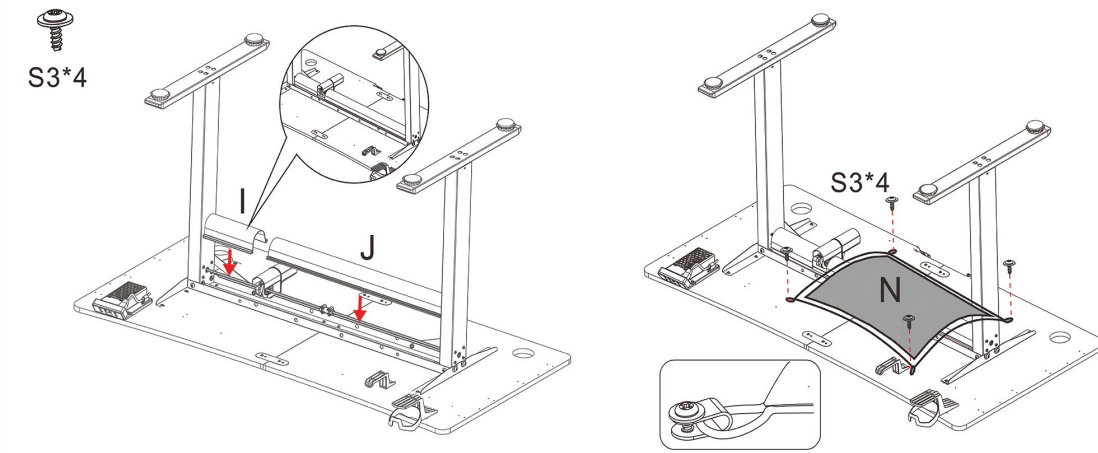


⚠ Please make sure the table legs are vertical to the connecting rod. And then tighten all the screws.



⚠ 1. Please make sure the two boards are aligned and seamless
 2. and then tighten the screws.

3



4

