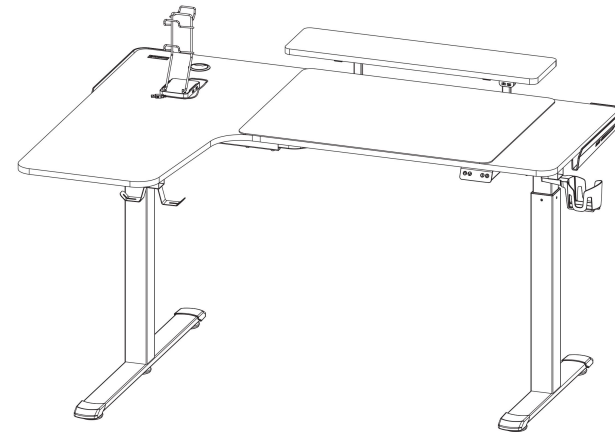


ASSEMBLY INSTRUCTIONS



ULTRADESK[®]

WINGER



INSTAGRAM



MYULTRADESK

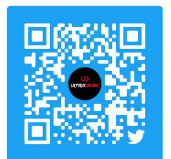
FACEBOOK

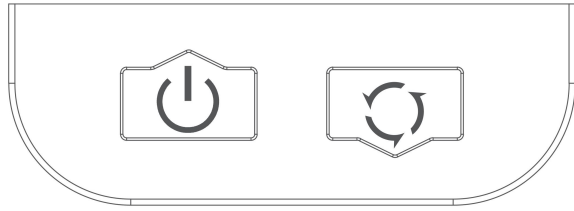


YOUTUBE



TWITTER





MAIN TECHNICAL PARAMETERS					
Parameters	Min	Normal	Max	Test Condition	Unit
Rated voltage(DC)	4.45	5	5.20		V
Rated power		2.25			W
Maximum power		2.50			W
Maximum current		450			mA
Environment temperature	-20		60		°C

FUNCTION

- Changing Lighting Modes: Make sure the desk light is on, then press the right button "⌚" to change modes. There are total 14 lighting modes.
2. Switching On/Off Lights: Press the button "⏻" for 3-4 seconds then the light will be off. If want to switch on the light, just repeat the operation.
3. Memorizing Lighting Mode: When the light is off, the last lighting mode will be memorized automatically by system. The next time when the light is switched on, it will go into the memorized mode automatically.

TROUBLE SHOOTING

- When the light flashes unexpectedly, please try to reboot it (turn it off and then on). If a reboot doesn't work, please check if the adapter work normally.
- If the light isn't on, please check if the power is on, or all the cables are connected correctly and tightly.

ASSEMBLY COMPLETED



Please ensure the furniture rests on an even and flat surface. If desk wobbles, another step that needs to be included with troubleshooting the wobbling is to adjust the feet.



Keep this handy!

Please retain this instruction manual and any other order information for future reference.



Lift, don't drag!

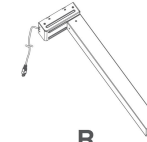
To avoid damage of product, when moving it, please lift instead of dragging the product.

PARTS



L

(P1)X1

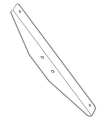


R

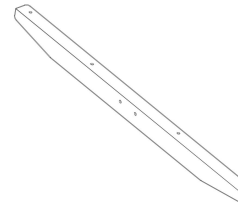
(P2)X1



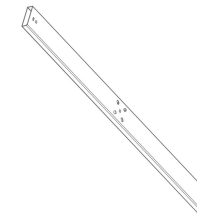
(P3)X2



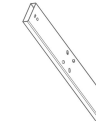
(P4)X1



(P5)X1



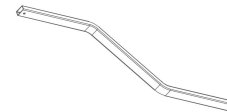
(P6)X1



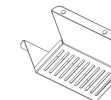
(P7)X1



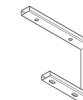
(P8)X3



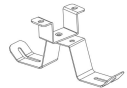
(P9)X2



(P10)X1



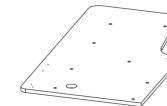
(P11)X2



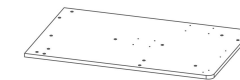
(P12)X1



(P13)X1



(P14)X1



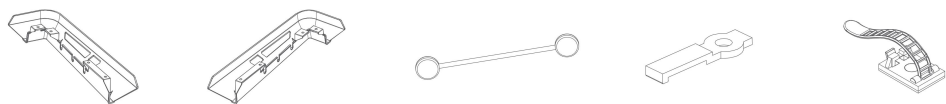
(P15)X1



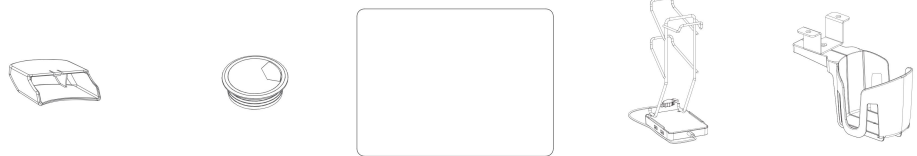
(P16)X1



(P17)X1 (P18)X1 (P19)X1 (P20)X1

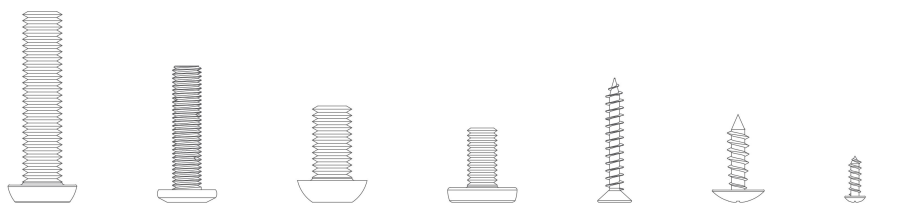


(P21)X1 (P22)X1 (P23)X10 (P24)X2 (P25)X5

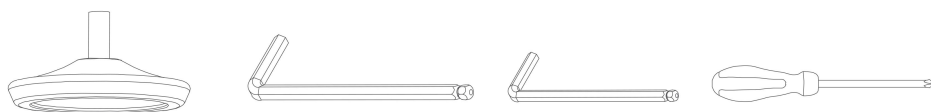


(P26)X4 (P27)X1 (P28)X1 (P29)X1 (P30)X1

HARDWARE



(1)X8 (2)X8 (3)X20 (4)X20 (5)X2 (6)X16 (7)X2



(8)X5 K5 (9)X1 K4 (10)X1 (11)X1

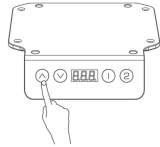
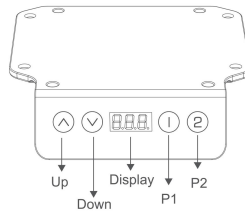
AUTOMATED EXERCISE REMINDER

Once the desktop stays at a same height position over 45 mins, the display shows "Chr". The flash of "Chr" will disappear when you press any of button or after 1 minute without any operation. The reminder will work for 3 times in a row.

COMMON ERROR CODE (PROBLEM DESCRIPTION AND SOLUTION)

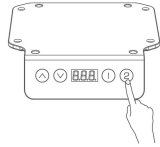
E01、E02	connection between desk legs and control box is loose	1. press UP or DOWN button, if still display E1 OR E2, check all of plugs and wires . Check whether motors fail connected with control unit , please connect the main cable again . 2. after operation 1 is not work, then switch the motor plug line, if the error code remains, it is the control box breaking down. If the error code changes after switch, that is the desk legs problem (for example, the error code is E01, after switching the motor line remains E01, then control box breaks down. If it changes into E02, then it is desk legs fault.)
E03、E04	desk leg(s) is overloaded or motor fault	Remove the load on desktop till it less than 180 lbs for future operation , switch the motor plug line, if the error code remains, it is the control box breaking down. If the error code changes after switch, the it is the desk legs problem (for example, the error code is E03, after switching the motor line remains E03, then control box breaks down. If it changes into E04, then it is desk legs fault.)
E05、E06	sensor abnormal in the desk leg(s)	1. Re-press UP or DOWN button, if still display E5 OR E6, please check the plug wire of the table leg. 2. after operation 1 is not work, then switch the motor plug line, if the error code remains, it is the control box breaking down. If the error code changes after switch, the it is the desk legs problem (for example, the error code is E05, after switching the motor line remains E05, then control box breaks down. If changes into E06, then it is desk legs fault.)
E07	power abnormal of the control box	Remove the main cable (10s) ,Then connect main cable again .if the error code still remains after power to reboot, replace the control box
E08、E09	desk leg(s) break down	if the error code still remains after power to reboot, replace the control box
E10、E11	controller failure	if the error code still remains after power to reboot, replace the control box
E12	desk leg(s) malposition	press up & down button at the same time until display "---", then release button and refer to the initial setting process
E13	thermal shutdown protection	Make the desk rest around 20 mins for furnitue operation , let the temperature drop.
E14、E15	desk leg(s) is stuck or not work properly	switch the motor plug line, if the error code remains, it is the control box breaking down. If the error code changes after switch, the it is the desk legs problem (for example, the error code is E14, after switching the motor line remains , then control box breaks down. If it changes into E15, then it is desk legs fault.)
E16	desk leg(s) unbalanced	press down button until display "---"(10s) , then release button and refer to the initial setting process
RST	abnormal power down	press down button until display "---", then release button and refer to the factory initial setting process
light of control box isn't working	power abnormal of the control box	check all of plugs and wires . Check whether motors fail connected with control unit , please connect the main cable again .if the light isn't working .replace the control box .

OPERATION INSTRUCTIONS



Up / Down Button

Press the \wedge to raise the desk, when you release the button it will stop. Press the \vee to lower the desk, when you release the button it will stop. When pressing the \wedge / \vee , the desk travels a very short distance, so that users can fine-tune the desk height according to preference.

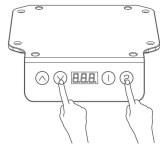


Desktop Height Memory Setting

POSITION SETTING: Can set up two memories. Adjust the desktop to the appropriate height with \wedge or \vee buttons. And then press "1 or 2" button, about 4 seconds until the display flashes "S -1 or S-2", indicating that memory setting is successful.

LOCATION QUERY: In the run mode, press any of the 1 / 2 keys to flash the height of the key memory.

POSITION REACHING: In the run mode, when the desktop stops, press any of the 1 / 2 keys twice to adjust to the desktop height of the key memory. When desktop is moving, pressing any button can stop it.



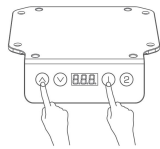
The Lowest Height Position Setting

POSITION SETTING: Please adjust the desktop to the appropriate height; and then hold both "2" and " \vee " button for 5 seconds; when the display appears "- d o", the lowest height is memorized successfully. Once the desktop is dropped to its lowest height position, the display shows "- L o".

POSITION CANCELLATION:

Option 1 - Refer to the initial setting process.

Option 2 - Adjust the desktop to the lowest height where the display shows "- L o", hold both "2" and the down button for 5 seconds; at this time, the display will show "- d o" indicating the set lowest height position has been successfully canceled.



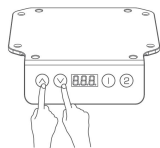
The Highest Height Position Setting

POSITION SETTING: Please adjust the desktop to the appropriate height; and then hold both "1" and the up button for 5 seconds; when the display appears "- u p", the highest height is memorized successfully. Once the desktop is raised to its highest height position, the display shows "- h l".

POSITION CANCELLATION:

Option 1 - Refer to the initial setting process.

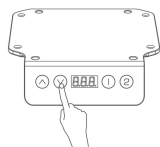
Option 2 - Adjust the desktop to the highest height where the display shows "- h l", hold both "1" and the up button for 5 seconds; at this time, the display will show "- u p" indicating the set highest height position has been successfully canceled..



Initial Settings

(Under normal state, can be operated at any time; Or replace the controller for the first time)

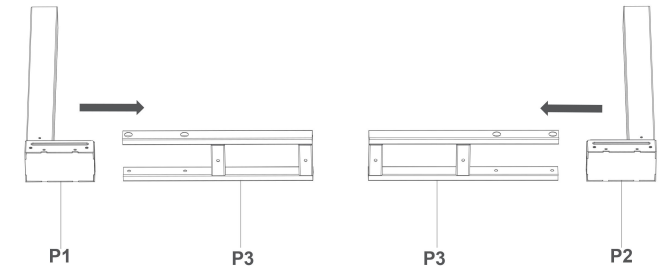
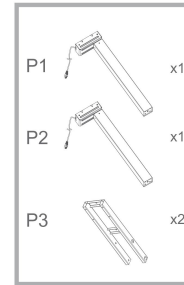
Press and hold both the \wedge and \vee until the display appears "- - -", release the keys, then the tabletop will automatically move up and down. When the top stop moving, the initial setting process succeeds.



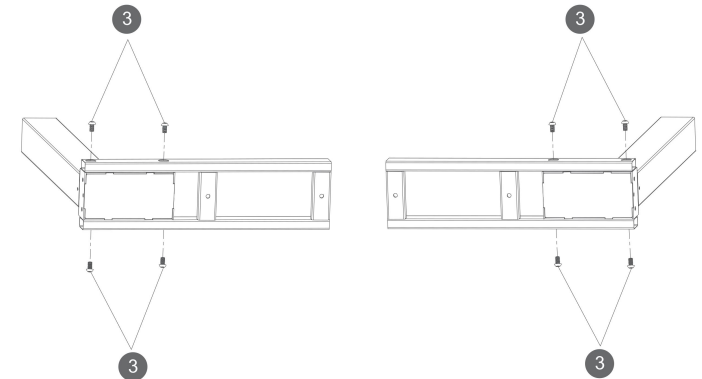
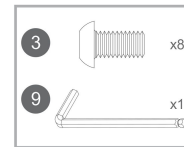
Restore Factory Settings

When the display appears error code "rST" or "E16", press and hold the " \vee " button for 5 seconds until the display flashes "- - -"; release the key, then the adjustable desk legs will automatically move down to its mechanical lowest point, and move up and stop at a factory-preset position. Finally, the desk can work normally.

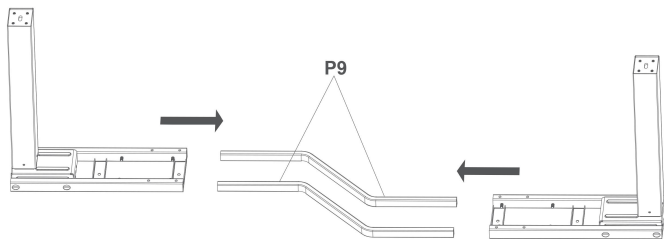
1



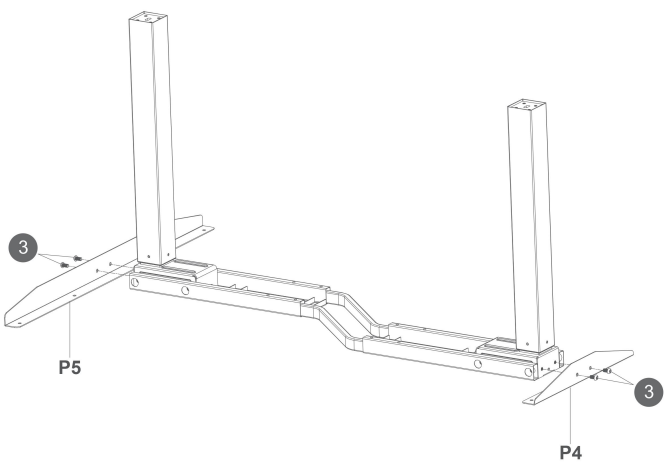
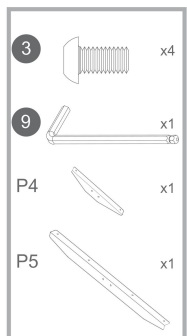
2



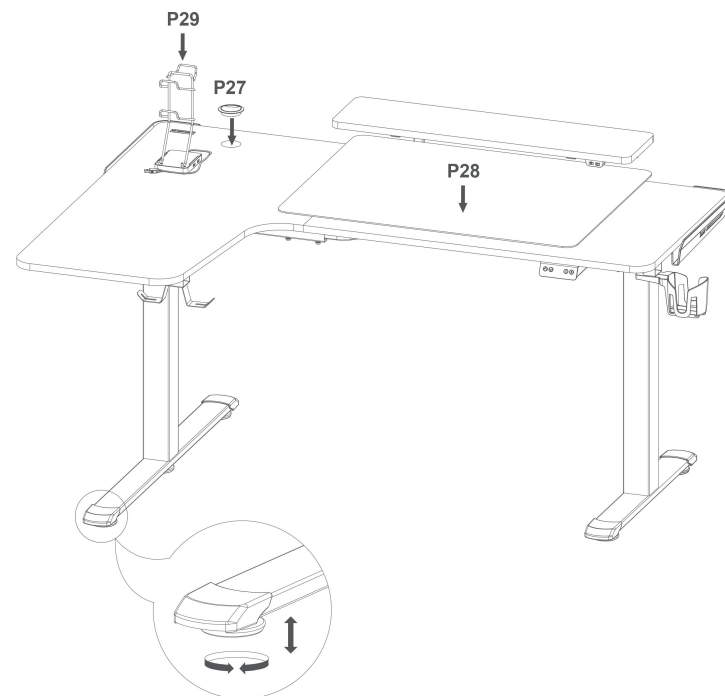
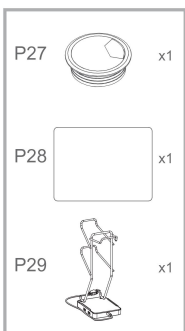
3



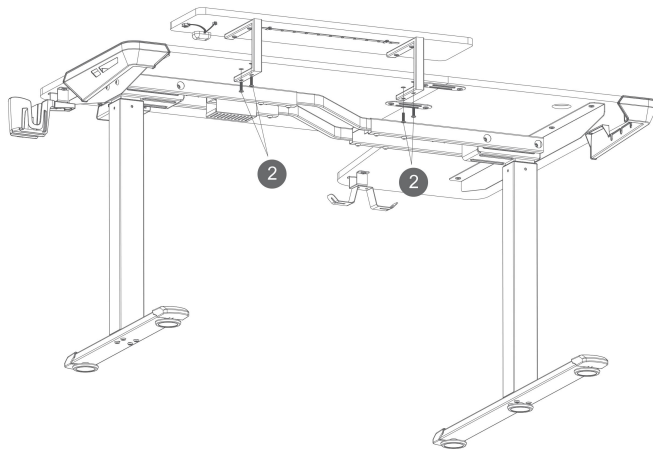
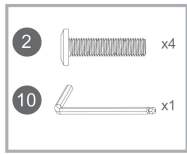
4



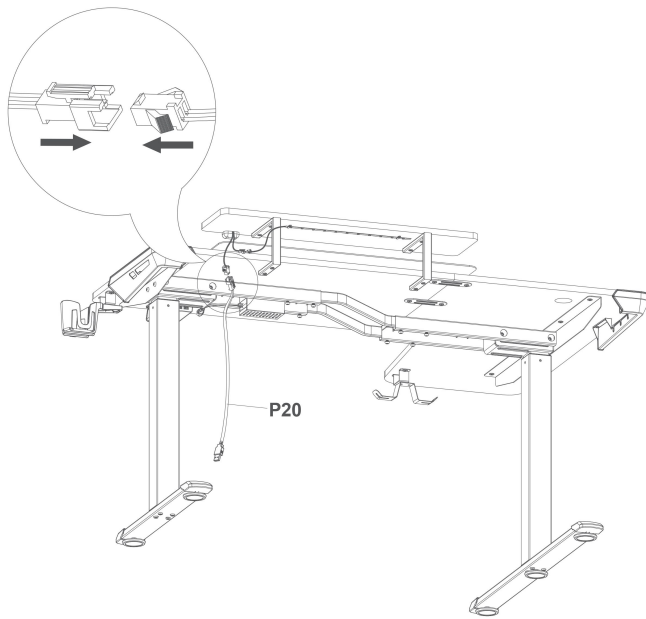
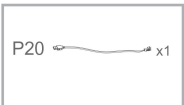
21



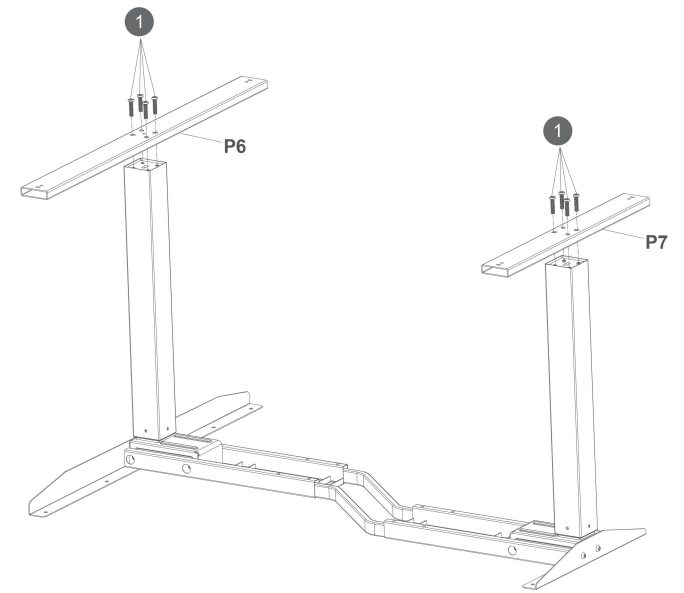
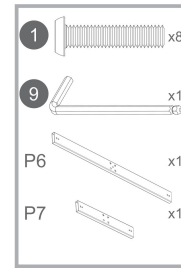
19



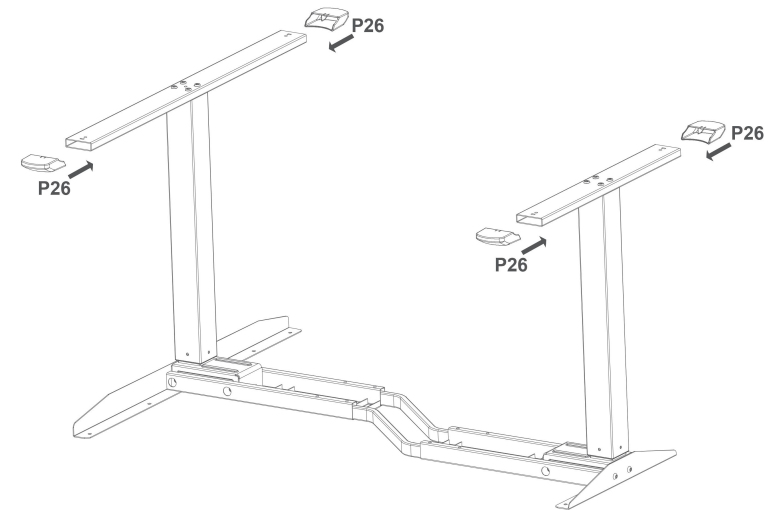
20



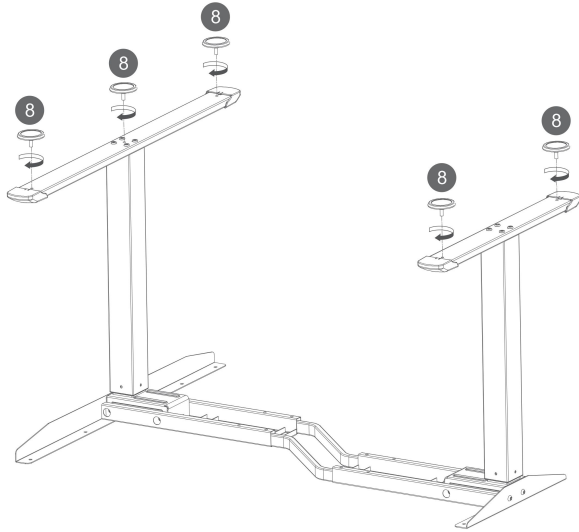
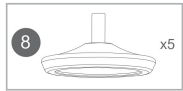
5



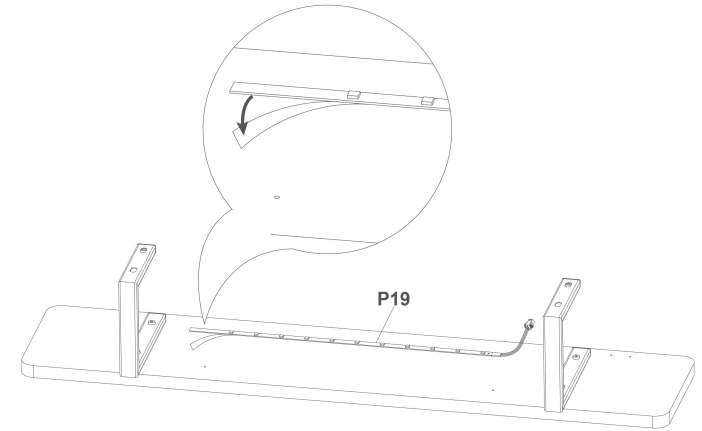
6



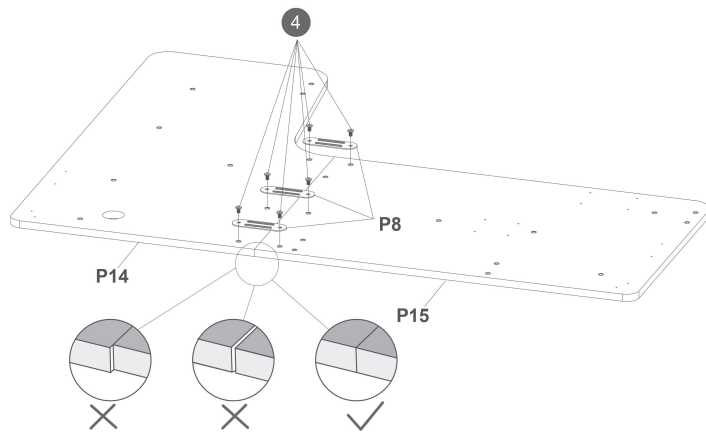
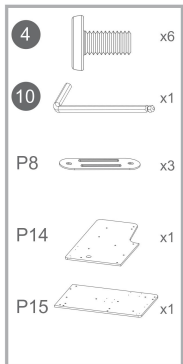
7



17

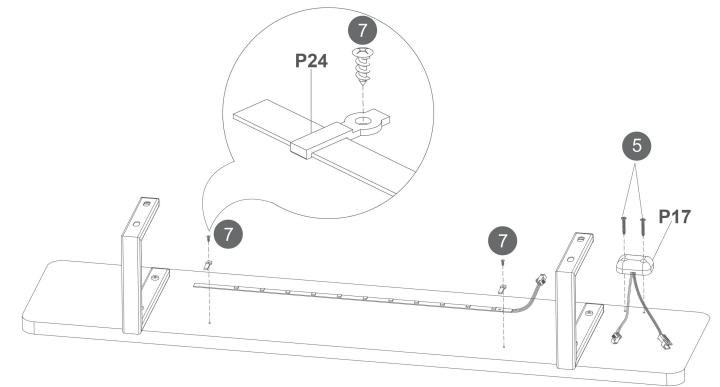
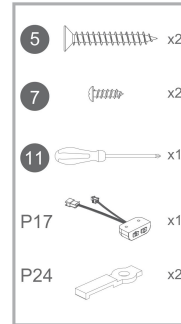


8

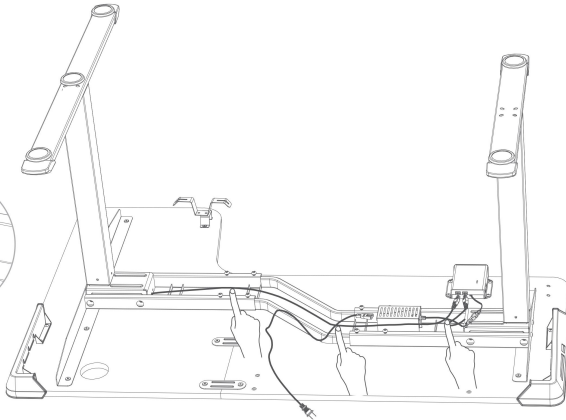
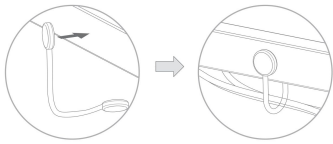
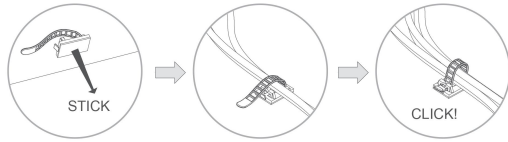
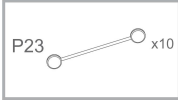


! Before tightening the screws, you must ensure that the two desktop pieces are perfectly aligned against each other.

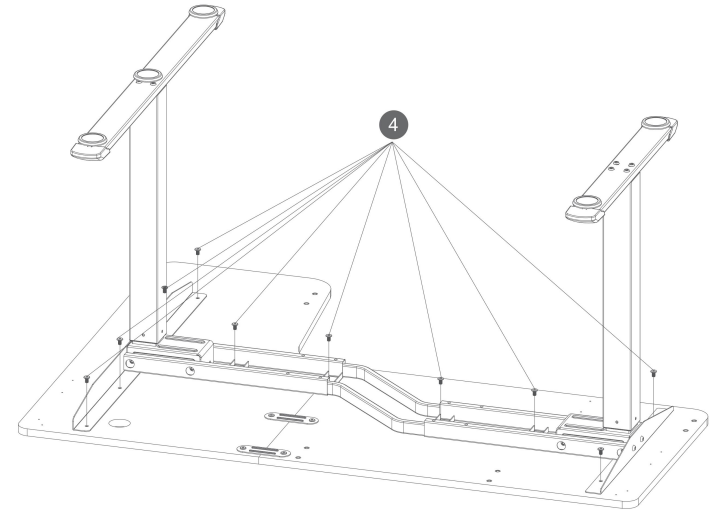
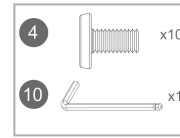
18



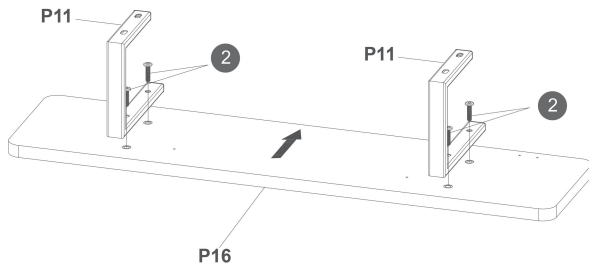
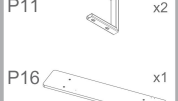
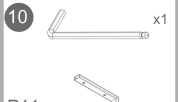
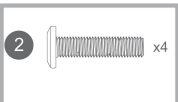
15



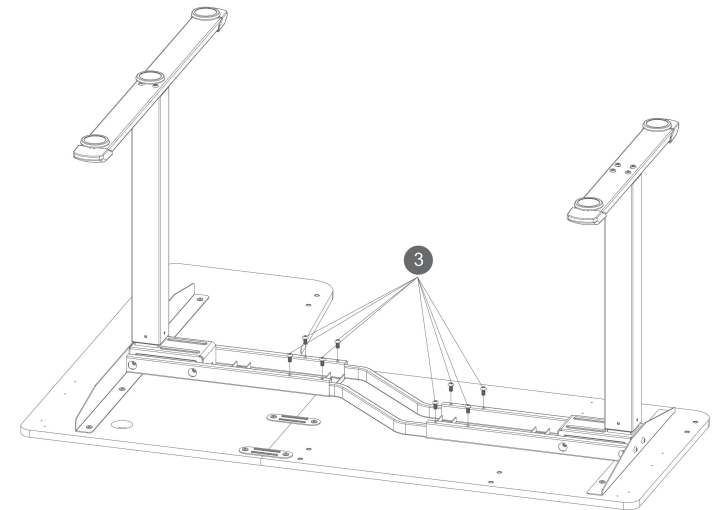
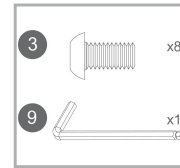
9



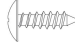



16

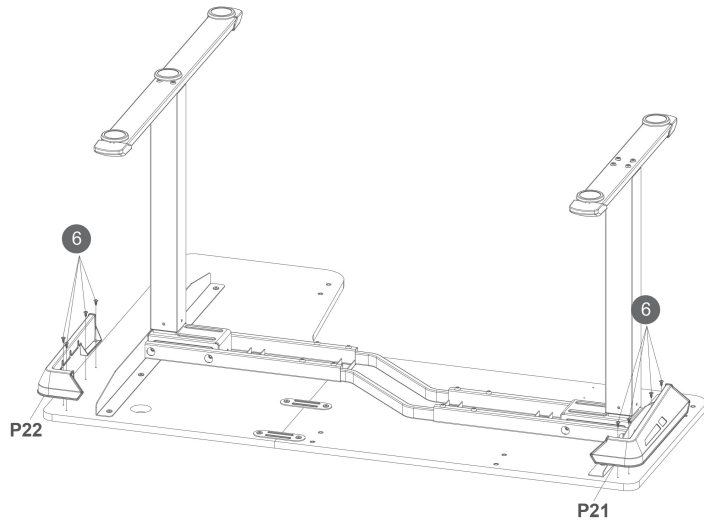


10







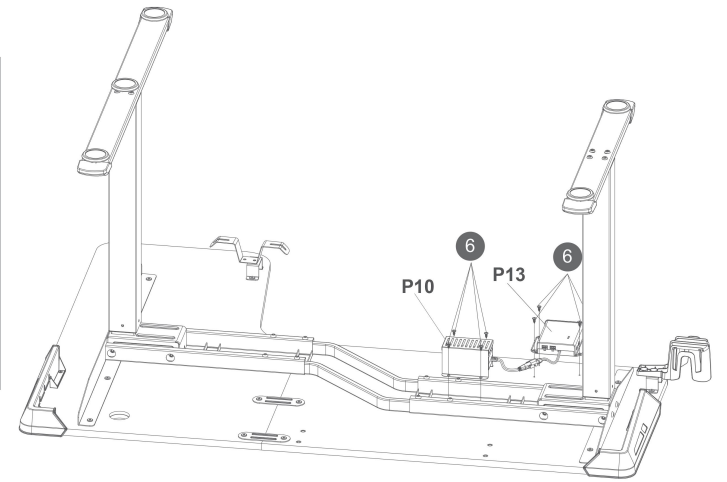
11

- 6  x8
- 11  x1
- P21  x1
- P22  x1







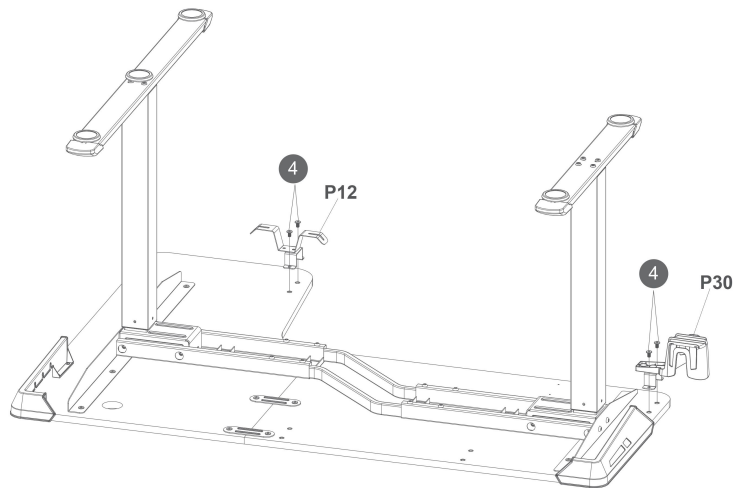
13

- 6  x8
- 11  x1
- P10  x1
- P13  x1



12

- 4  x4
- 10  x1
- P12  x1
- P30  x1



14

- P18  x1

